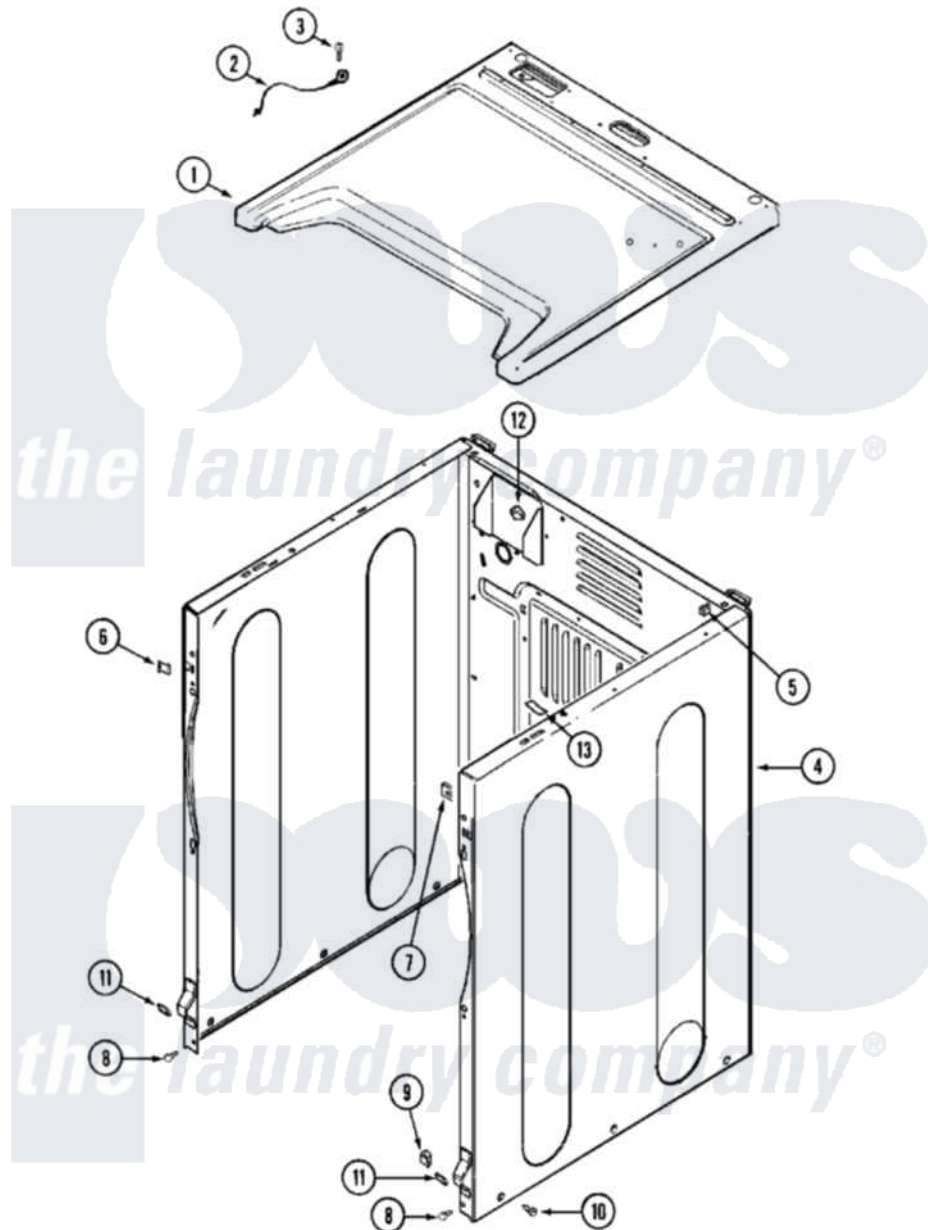


# Maytag MDG16PDDXW 03 - CABINET-FRONT



Maytag [Commercial Maytag MDG16PDDXW Dryer Parts](#) Parts Diagram 03 - CABINET-FRONT  
 Click on the part number to view part

Item	Original Part Number	Replaced By	Status	Part Description
001	<a href="#">33002633</a>			Cover, Top
002	<a href="#">22001959</a>			Wire, Ground
003	210186	<a href="#">3370225</a>		Screw
004	NLA		Not Available	CABINET ASSY (WHT-AS PK)
005	310933	<a href="#">33002194</a>		Nut, Speed
006	<a href="#">22002049</a>			Clip Note: Clip, Front Panel
007	213280	<a href="#">204439</a>		Screw And Fstner Assembly
008	<a href="#">22001995</a>			Screw Note: Screw, Tumbler Front And Shroud
009	<a href="#">Y310376</a>			Clip, Door Switch Harness
010	<a href="#">213007</a>			Xfor Cabinet See Cabinet, Back
"	22003409	<a href="#">213007</a>		Xfor Cabinet See Cabinet, Back
011	<a href="#">22002239</a>			Clip, Front Panel
012	<a href="#">Y310376</a>			Clip, Door Switch Harness
013	<a href="#">33001836</a>			Strap, Top Cover Support

