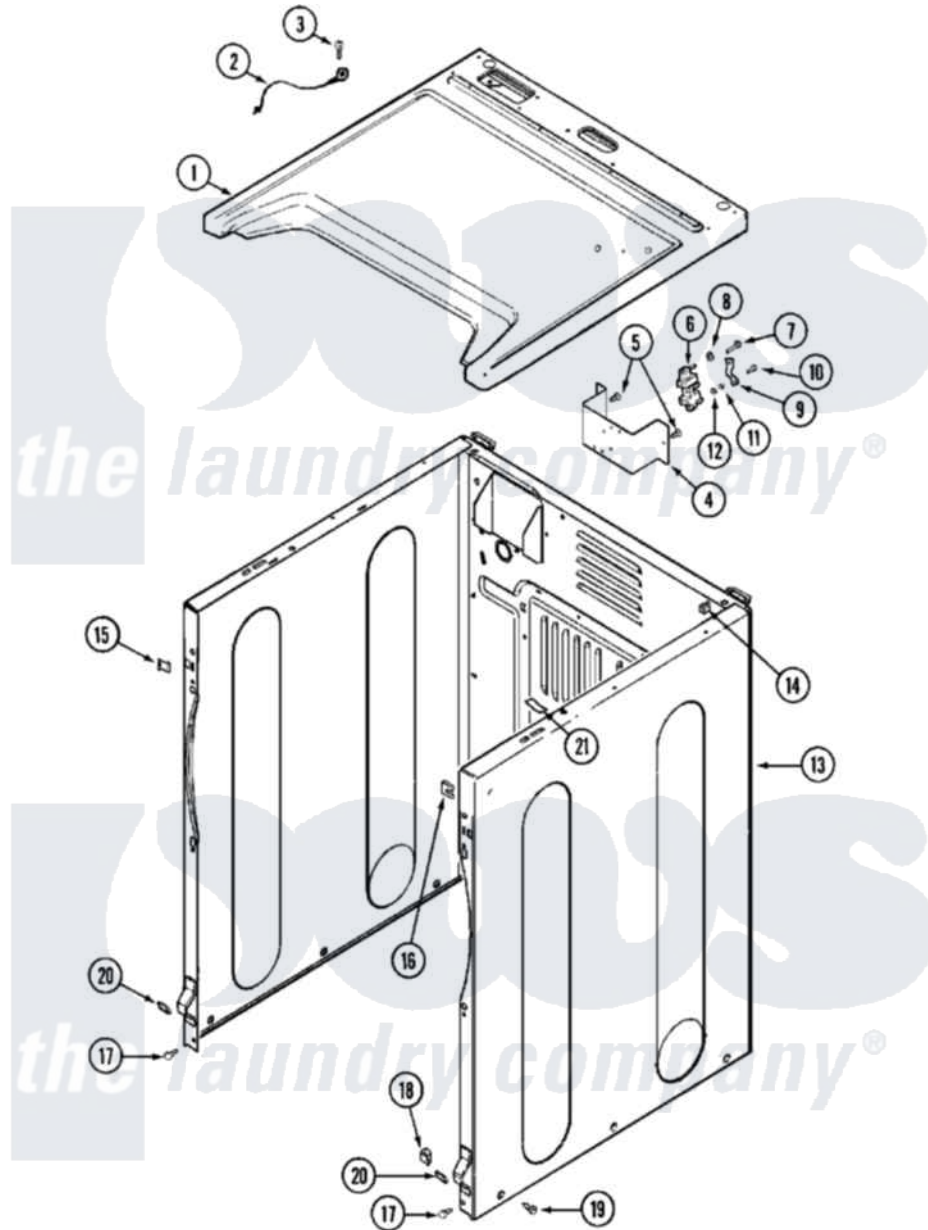


Maytag MDG16PSAXW 03 - CABINET-FRONT



Maytag [Commercial Maytag MDG16PSAXW Dryer Parts](#) Parts Diagram 03 - CABINET-FRONT
 Click on the part number to view part

Item	Original Part Number	Replaced By	Status	Part Description
001	33001949			Cover, Top
"	33002633			Cover, Top
002	22001959			Wire, Ground
003	210186	3370225		Screw
004	NLA		Not Available	BRACKET, TERMINAL BLOCK---NA
005	22001995			Screw Note: Screw, Tumbler Front And Shroud
006	33001244			Block, Terminal
007	Y312209	W10001200		Screw
008	Y311270			Washer, Terminal Block
009	Y312184			Strap, Grounding
010	NLA		Not Available	SCREW, GROUND STRAP
011	311484	112432		Nut
012	311093			Washer, Terminal Connection
013	NLA		Not Available	CABINET (WHT)
014	310933	33002194		Nut, Speed

015	22002049		Clip Note: Clip, Front Panel
016	213280	204439	Screw And Fstner Assembly
017	22001995		Screw Note: Screw, Tumbler Front And Shroud
018	22003298		Retainer, Wire
019	213007		Xfor Cabinet See Cabinet, Back
"	22003409	213007	Xfor Cabinet See Cabinet, Back
020	22002239		Clip, Front Panel
021	33001836		Strap, Top Cover Support
022	Y310376		Clip, Door Switch Harness

