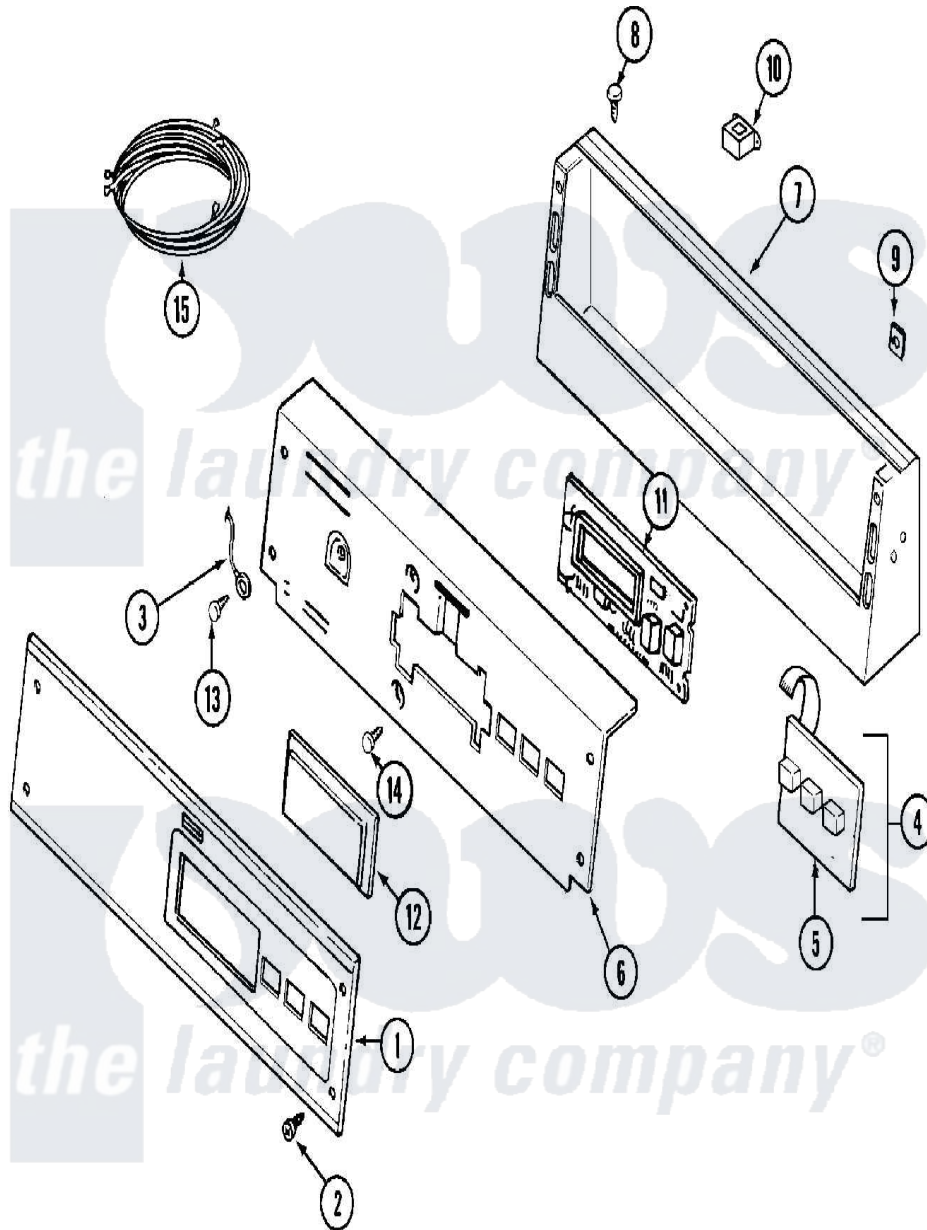


# Maytag MDG16PSDXW 01 - CONTROL PANEL



Maytag [Commercial Maytag MDG16PSDXW Dryer Parts](#) Parts Diagram 01 - CONTROL PANEL  
 Click on the part number to view part

Item	Original Part Number	Replaced By	Status	Part Description
001	<a href="#">33002941</a>			Facia - Pd/Ps
002	<a href="#">215506</a>			Screw, Control Panel Overlay
003	<a href="#">22001959</a>			Wire, Ground
004	215527	<a href="#">W10140652</a>		Screw, 6-20 X 1/2
"	<a href="#">306694</a>			Backup Plate With Switch
005	33002863	<a href="#">W10131113</a>		Push Button
006	<a href="#">22002954</a>			Deflector, Water
"	<a href="#">33002519</a>			Bracket, Back
007	<a href="#">22003089</a>			Console
008	22001996	<a href="#">3370225</a>		Screw
009	<a href="#">215003</a>			Fastener, Panel And Bracket
010	<a href="#">22001960</a>			Transformer
"	22002925	<a href="#">3370225</a>		Screw
011	<a href="#">33001204</a>			Stand-Off, Ccontrol Board
"	33002358	<a href="#">W10130081</a>		Control Board
012	22001962	<a href="#">W10131114</a>		Cover, Display

013

[211252](#)

Screw, Ground Wire

014

[215526](#)

Screw, Circuit Board

015

[22003818](#)

Wire Harness

"

[33001878](#)

Wire Harness, Main

