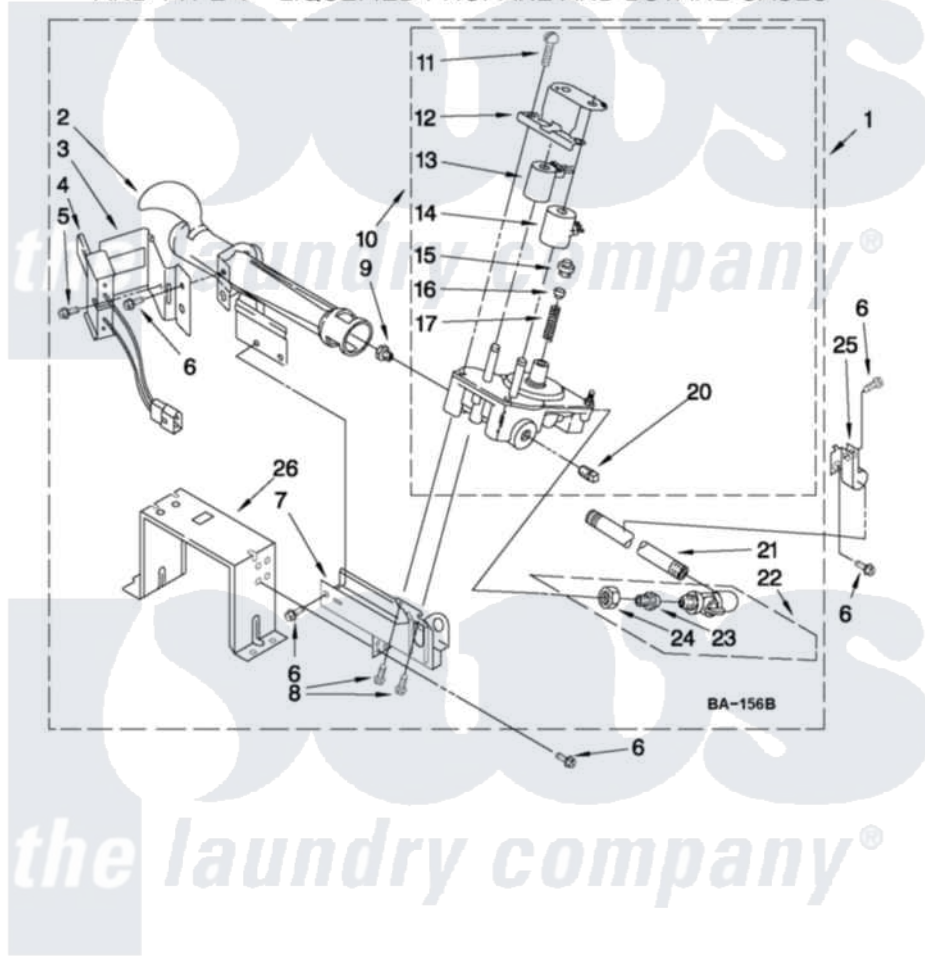


W10135231 BURNER ASSEMBLY

For Model: MDG17CSAWW0
(White)

USE WITH TYPE 1 - NATURAL, TYPE 2 - MIXED,
AND TYPE 4 - LIQUEFIED PROPANE AND BUTANE GASES



FOR ORDERING INFORMATION REFER TO PARTS PRICE LIST

W10135143

8

Maytag Commercial Maytag MDG17CSAWW0 Dryer Parts Parts Diagram 04 - W10135231 BURNER ASSEMBLY
Click on the part number to view part

Item	Original Part Number	Replaced By	Status	Part Description
1	W10135231	W10492508		Burner-Gas
2	688617	693140		Burner
3	694298			Bracket, Ignitor
4	686590	279311		Ignitor
5	3393909			Screw, 8-32 X 7/8
6	343641	681414		Screw, 10AB X 1/2
7	3389871		Not Available	Base, Burner
8	3387057			Screw, 10-16 X 1/2 Orifice, Burner
9	234870			Orifice, Burner
"	234868			Orifice, Burner
10	W10141728			Valve, Gas 60 Hz
11	694421			Screw, Bracket Mounting
12	694538			Bracket, Shunt
13	694540			Coil, 60 Hz
14	694539			Coil, 60 Hz
15	694424			Leak, Limiter

16	694423		Screw, Regulator Adjustment
17	694422		Spring, Regulator
20	239822	W10295523	Plug, Pipe
21	W10110395		Pipe, Gas Supply
22	697441		Valve And Union Shut-Off
23	3393767		Pipe, Tail
24	233076		Nut, Compression
25	3387561		Clamp-Pipe
26	3389889		Bracket, Support
NI	W10436933		Conversion Kit To Type L.P.G.

