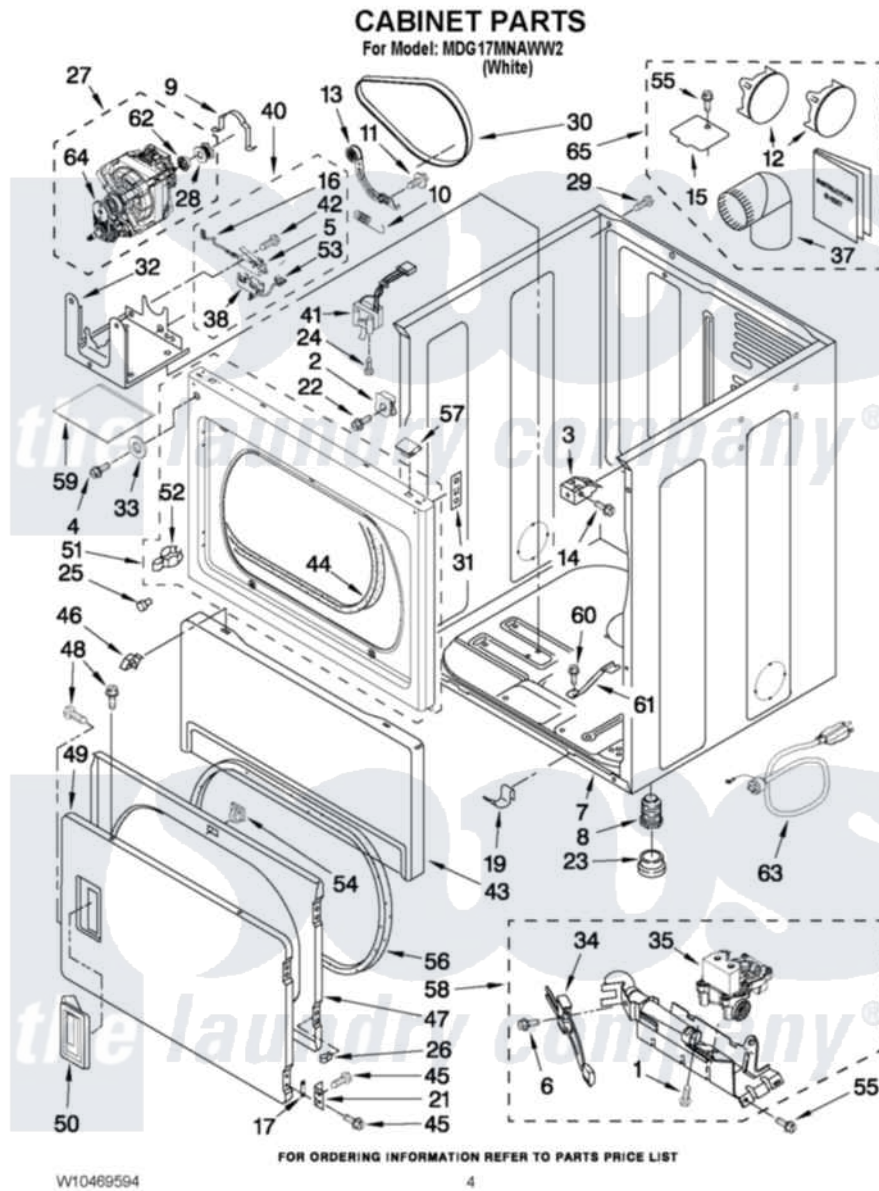


# Maytag MDG17MNAWW2 02 - CABINET PARTS



Maytag [Commercial Maytag MDG17MNAWW2 Dryer Parts](#) Parts Diagram 02 - CABINET PARTS  
 Click on the part number to view part

Item	Original Part Number	Replaced By	Status	Part Description
1	<a href="#">3387057</a>			Screw, 10-16 X 1/2 Orifice, Burner
2	<a href="#">W10131123</a>			NUt, 8 U-Type
3	<a href="#">3391846</a>			Clip, Front Panel
4	<a href="#">3400077</a>			Screw, 10-16 X 1/2
5	<a href="#">8564010</a>			Assembly, Switch And Actuator
6	<a href="#">3393909</a>			Screw, 8-32 X 7/8
7	<a href="#">8310656</a>			Cabinet
8	3392100	<a href="#">49621</a>		Feet-Leveling
NI	<a href="#">279810</a>			Foot-Optional
9	<a href="#">660658</a>			Clamp, Motor Mounting 343481 685441
10	<a href="#">3387374</a>			Spring, Idler
11	<a href="#">3389420</a>			Retainer-Idler 1/4-20 X 1/16
12	697750	<a href="#">W10470674</a>		Dryer Exhaust Kit
13	<a href="#">W10344192</a>			Idler Assembly

14	3391915	<a href="#">681615</a>	Screw
15	<a href="#">3394331</a>		Plate Cover
16	<a href="#">W10167613</a>		Wire, Belt Switch
17	<a href="#">W10191265</a>		Plug, Hinge Screw Front Panel
19	<a href="#">W10291934</a>		Clip
21	<a href="#">W10279703</a>		Hinge And Pin Assembly
22	<a href="#">W10131119</a>		Screw, 8-18 X 5/16
23	<a href="#">3391943</a>		Boot, Foot
24	697773	<a href="#">3395530</a>	Screw
25	<a href="#">693152</a>		Bumper, Console
26	<a href="#">3389249</a>		Nut, Inner Door
27	<a href="#">W10139766</a>	<a href="#">W10396034</a>	Motor Assembly 60 Hz
28	3394341	<a href="#">W10299847</a>	Pulley-Motor
29	8533974	<a href="#">4331106</a>	Screw, No.10-32 X 7/16
30	<a href="#">W10131172</a>		Belt, Drive
31	<a href="#">3390902</a>		Clip, Door Hinge
32	<a href="#">W10135695</a>		Bracket, Motor
33	3392186	<a href="#">4159590</a>	Washer
34	686590	<a href="#">279311</a>	Ignitor
35	<a href="#">W10299939</a>		Valve, Gas 60 Hz
37	279731	<a href="#">49026</a>	4" - 90° Elbow
38	<a href="#">8564011</a>		Bracket-Switch
40	<a href="#">W10155571</a>		Switch, Assembly
41	3406109	<a href="#">3406107</a>	Door Switch Assembly
42	<a href="#">W10002600</a>		Screw, 6-20 X 1 1/4
43	697215	<a href="#">3406797</a>	Toe Panel
44	<a href="#">3387242</a>		Seal, Front Panel
45	342055	<a href="#">488627</a>	Screw
46	<a href="#">3388229</a>		Retainer, Toe Panel
47	<a href="#">W10323061</a>		Door, Rear
48	<a href="#">694091</a>		Trim, Side Right Hand
49	<a href="#">W10322546</a>		Door, Front
50	<a href="#">W10116360</a>		Handle, Door
51	W10192882	<a href="#">W10242810</a>	Panel
52	696144	<a href="#">279570</a>	Latch
53	<a href="#">8539892</a>		Wire-Motor To Belt Switch
54	3392538	<a href="#">279570</a>	Latch
55	3390647	<a href="#">488729</a>	Screw
56	<a href="#">3390735</a>		Seal, Door
57	<a href="#">345670</a>		Lock, Top
58	W10400668	<a href="#">W10492508</a>	Burner-Gas
59	<a href="#">W10212660</a>		Pad, Sound Dampening
60	<a href="#">8529757</a>		Bracket, Burner
61	<a href="#">693995</a>		Screw, Hex Head
62	<a href="#">3393657</a>		Restrainer, Belt
63	W10440461	<a href="#">3401402</a>	Cord, Power
64	<a href="#">3405160</a>		Belt, Drive
NI	279818	<a href="#">W10470674</a>	Dryer Exhaust Kit