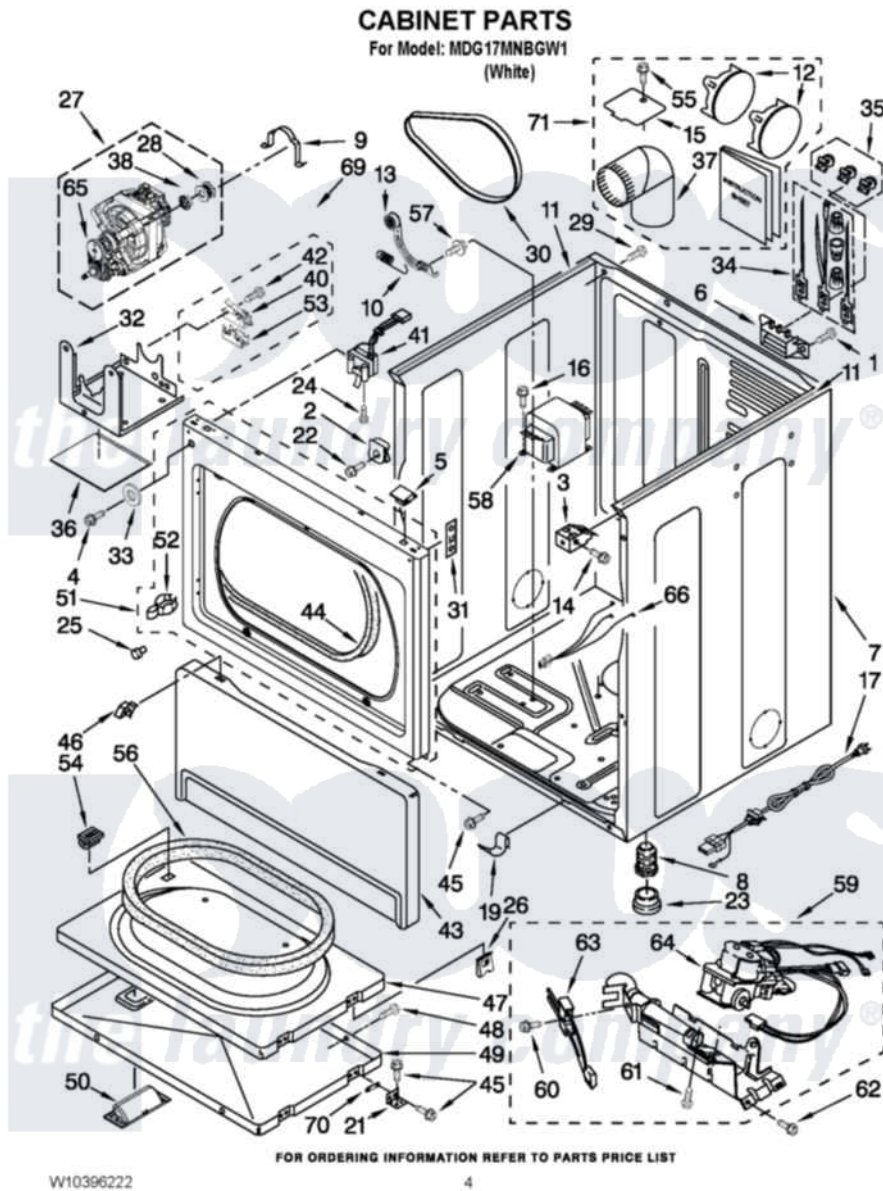


# Maytag MDG17MNBGW1 02 - CABINET PARTS



Maytag [Commercial Maytag MDG17MNBGW1 Dryer Parts](#) Parts Diagram 02 - CABINET PARTS  
Click on the part number to view part

| Item | Original Part Number      | Replaced By               | Status | Part Description                       |
|------|---------------------------|---------------------------|--------|--|
| 1    | 3393008                   | <a href="#">308685</a>    |        | Side Trim )                            |
| 2    | <a href="#">W10131123</a> |                           |        | NUT, 8 U-Type                          |
| 3    | <a href="#">3391846</a>   |                           |        | Clip, Front Panel                      |
| 4    | <a href="#">3400077</a>   |                           |        | Screw, 10-16 X 1/2                     |
| 5    | <a href="#">345670</a>    |                           |        | Lock, Top                              |
| 6    | <a href="#">3397659</a>   |                           |        | Block, Terminal                        |
| 7    | <a href="#">8310656</a>   |                           |        | Cabinet                                |
| 8    | 3392100                   | <a href="#">49621</a>     |        | Feet-Leveling                          |
| NI   | <a href="#">279810</a>    |                           |        | Foot-Optional                          |
| 9    | <a href="#">660658</a>    |                           |        | Clamp, Motor Mounting<br>343481 685441 |
| 10   | <a href="#">3387374</a>   |                           |        | Spring, Idler                          |
| 11   | <a href="#">8318396</a>   |                           |        | Foam-Seal                              |
| 12   | 697750                    | <a href="#">W10470674</a> |        | Dryer Exhaust Kit                      |
| 13   | <a href="#">W10344192</a> |                           |        | Idler Assembly                         |
| 14   | 3391915                   | <a href="#">681615</a>    |        | Screw                                  |
| 15   | <a href="#">3394331</a>   |                           |        | Plate Cover                            |

|    |                           |                           |                                    |
|----|---------------------------|---------------------------|------------------------------------|
| 16 | <a href="#">340000</a>    |                           | Screw, 10-24 X 3/8                 |
| 17 | <a href="#">W10167642</a> |                           | Cord, Power                        |
| NI | N/P                       | Not Available             | PARTS NOT SHOWN                    |
| 17 | <a href="#">W10153836</a> |                           | 10A Cord Lock                      |
| "  | <a href="#">W10223804</a> |                           | 10A Cord, Adapters                 |
| "  | <a href="#">W10223809</a> |                           | 10A Cord Adapters                  |
| "  | <a href="#">W10223807</a> |                           | 10A Cord Adapters                  |
| 19 | <a href="#">W10291934</a> |                           | Clip                               |
| 21 | <a href="#">W10279703</a> |                           | Hinge And Pin Assembly             |
| 22 | <a href="#">W10131119</a> |                           | Screw, 8-18 X 5/16                 |
| 23 | <a href="#">3391943</a>   |                           | Boot, Foot                         |
| 24 | 697773                    | <a href="#">3395530</a>   | Screw                              |
| 25 | <a href="#">693152</a>    |                           | Bumper, Console                    |
| 26 | <a href="#">3389249</a>   |                           | Nut, Inner Door                    |
| 27 | W10289662                 | <a href="#">W10416574</a> | Motor-Drve                         |
| 28 | <a href="#">W10167237</a> |                           | Pulley                             |
| 29 | 8533974                   | <a href="#">4331106</a>   | Screw, No.10-32 X 7/16             |
| 30 | <a href="#">W10131172</a> |                           | Belt, Drive                        |
| 31 | <a href="#">3390902</a>   |                           | Clip, Door Hinge                   |
| 32 | <a href="#">W10135695</a> |                           | Bracket, Motor                     |
| 33 | <a href="#">W10223794</a> |                           | Washer                             |
| 34 | <a href="#">279318</a>    |                           | Terminal Tinned And Brass Panel    |
| 35 | <a href="#">279393</a>    |                           | Terminal Block Screw Kit           |
| 36 | <a href="#">W10212660</a> |                           | Pad, Sound Dampening               |
| 37 | 279731                    | <a href="#">49026</a>     | 4" - 90° Elbow                     |
| 38 | <a href="#">3393657</a>   |                           | Restrainer, Belt                   |
| 40 | <a href="#">W10410873</a> |                           | Assembly, Switch And Actuator      |
| 41 | <a href="#">W10237959</a> |                           | Door Switch Assembly               |
| 42 | <a href="#">3400934</a>   |                           | Assembly, Screw And Insulator      |
| 43 | 697215                    | <a href="#">3406797</a>   | Toe Panel                          |
| 44 | <a href="#">3387242</a>   |                           | Seal, Front Panel                  |
| 45 | 342055                    | <a href="#">488627</a>    | Screw                              |
| 46 | <a href="#">3388229</a>   |                           | Retainer, Toe Panel                |
| 47 | 3392563                   | <a href="#">280083</a>    | Door-Rear                          |
| 48 | <a href="#">W10080300</a> |                           | Screw, 8-18 X 3/8                  |
| 49 | <a href="#">3387872</a>   |                           | Door, Front                        |
| 50 | <a href="#">W10116360</a> |                           | Handle, Door                       |
| 51 | W10192882                 | <a href="#">W10242810</a> | Panel                              |
| 52 | 696144                    | <a href="#">279570</a>    | Latch                              |
| 53 | <a href="#">8564011</a>   |                           | Bracket-Switch                     |
| 54 | 3392538                   | <a href="#">279570</a>    | Latch                              |
| 55 | 3390647                   | <a href="#">488729</a>    | Screw                              |
| 56 | <a href="#">3390735</a>   |                           | Seal, Door                         |
| 57 | <a href="#">3389420</a>   |                           | Retainer-Idler 1/4-20 X 1/16       |
| 58 | <a href="#">3977633</a>   |                           | Autotransformer                    |
| 59 | <a href="#">W10096909</a> |                           | Burner Assembly 50 Hz              |
| 60 | <a href="#">3393909</a>   |                           | Screw, 8-32 X 7/8                  |
| 61 | W10080630                 | <a href="#">3387057</a>   | Screw, 10-16 X 1/2 Orifice, Burner |
| 62 | 3390647                   | <a href="#">488729</a>    | Screw                              |
| 63 | 686590                    | <a href="#">279311</a>    | Ignitor                            |

|    |                           |  |
|----|---------------------------|--|
| 64 | <a href="#">8281918</a>   | Valve, Gas 60 Hz                               |
| 65 | <a href="#">3405160</a>   | Belt, Drive                                    |
| 66 | <a href="#">W10190549</a> | Transformer Jumper                             |
| 69 | <a href="#">W10259136</a> | Switch, Assembly                               |
| 70 | <a href="#">W10191265</a> | Plug, Hinge Screw Front Panel                  |
| NI | 279818                    | <a href="#">W10470674</a><br>Dryer Exhaust Kit |

