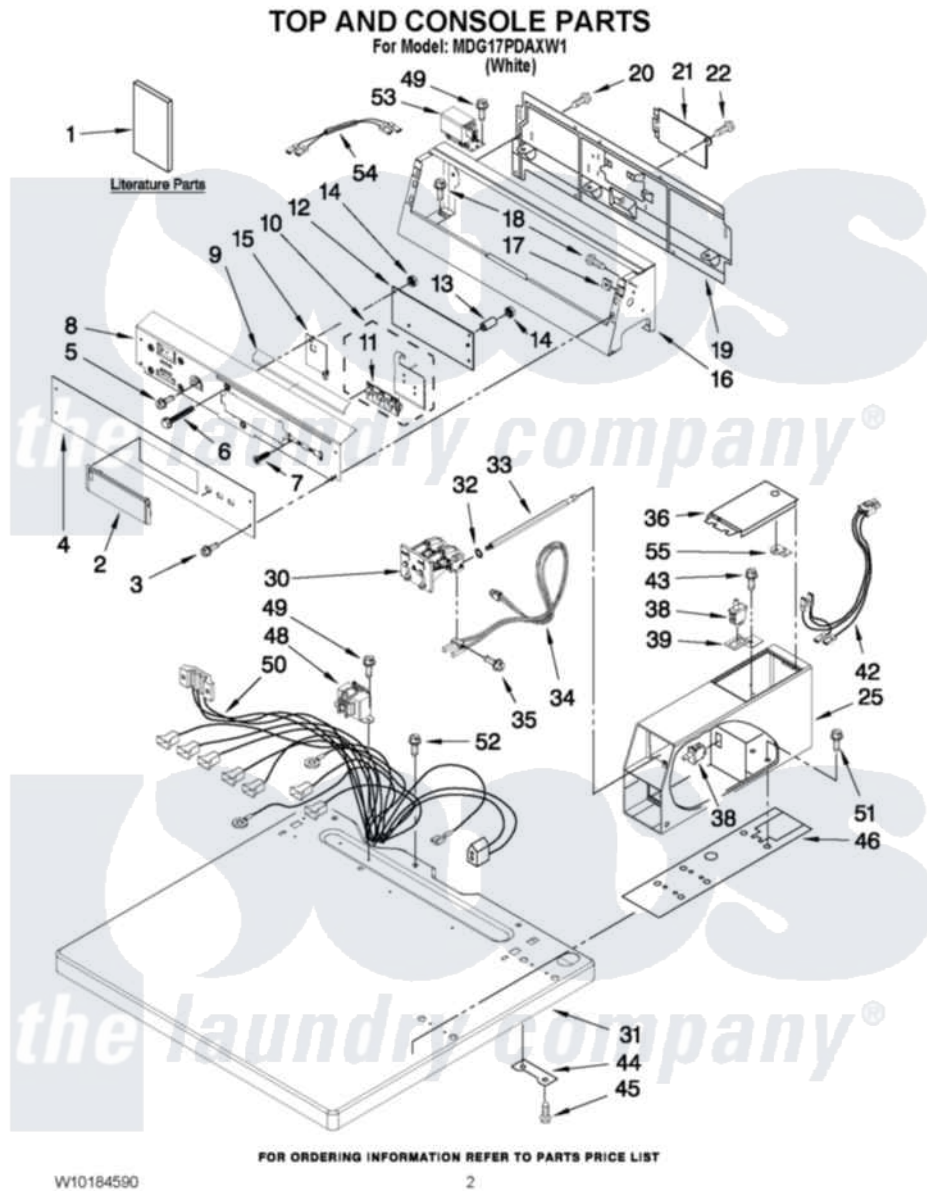


# Maytag MDG17PDAXW1 01 - TOP AND CONSOLE PARTS



Maytag [Commercial Maytag MDG17PDAXW1 Dryer Parts](#) Parts Diagram 01 - TOP AND CONSOLE PARTS  
Click on the part number to view part

Item	Original Part Number	Replaced By	Status	Part Description
1	W10184578		Not Available	INSTRUCTIONS INSTALLATION
"	W10183571		Not Available	Tech Sheet
"	<a href="#">W10184590</a>			REPAIR PARTS LIST
2	<a href="#">W10131114</a>			Cover, Display
3	<a href="#">W10131119</a>			Screw, 8-18 X 5/16
4	<a href="#">W10135181</a>			Facia-Overlay
5	W10142728	<a href="#">3370225</a>		Screw
6	<a href="#">W10137322</a>			Screw, 6-20 X 1.00
7	<a href="#">W10140652</a>			Screw, 6-20 X 1/2
8	<a href="#">W10124214</a>			Bracket, Control
9	<a href="#">W10133515</a>			Deflector Switch Assembly
10	<a href="#">W10135233</a>			Push Button And Switch Assembly
11	<a href="#">W10131113</a>			Push Button
12	<a href="#">W10130081</a>			Control Board
13	<a href="#">W10133514</a>			Spacer

14	<a href="#">W10139046</a>		Nut 6-32
15	<a href="#">W10161476</a>		Shield, Probing
16	W10205153	<a href="#">W10231471</a>	Console
17	<a href="#">W10131123</a>		NUt, 8 U-Type
18	<a href="#">W10139210</a>		Screw, 8-18 X 5/16
19	<a href="#">W10177313</a>		Panel, Rear
20	3390647	<a href="#">488729</a>	Screw
21	<a href="#">8317340</a>		Cover, Terminal Block
22	3390814	<a href="#">90767</a>	Screw, 8A X 3/8 HeX Washer Head Tapping
25	<a href="#">W10136645</a>		Meter Case
30	<a href="#">W10133245</a>		Dual Coin Drop Assembly
31	<a href="#">W10136707</a>		Top
32	<a href="#">W10068270</a>		Washer, Lock
33	<a href="#">W10137319</a>		Hex-Bar Bolt
34	W10130178	<a href="#">W10247389</a>	Sensor
35	<a href="#">W10142655</a>		Screw, 6-20 X 1.00
36	<a href="#">3351136</a>		Service Door Assembly
38	<a href="#">W10131838</a>		Switch, Vault And Service Door
39	<a href="#">W10133508</a>		Bracket, Service Switch
42	<a href="#">W10139456</a>		Wire Harness, Sensor Switch
43	<a href="#">W10139210</a>		Screw, 8-18 X 5/16
44	3347825	<a href="#">3353813</a>	Plate, Mounting
45	<a href="#">98445</a>		Screw, 10-16 X 3/4
46	<a href="#">3954812</a>		Cushion, Meter Case
48	<a href="#">W10131839</a>		Transformer 120 To 22.5 Vac
49	8533971	<a href="#">90767</a>	Screw, 8A X 3/8 HeX Washer Head Tapping
50	<a href="#">W10130190</a>		Harness, Main
51	<a href="#">3349065</a>		Bolt, Meter Case Mounting
52	<a href="#">3400000</a>		Screw, 10-24 X 3/8
53	8540229	<a href="#">W10339736</a>	Filter, Interference
54	<a href="#">W10175650</a>		Jumper-Line Filter
55	<a href="#">W10156125</a>		Cam-Lock

