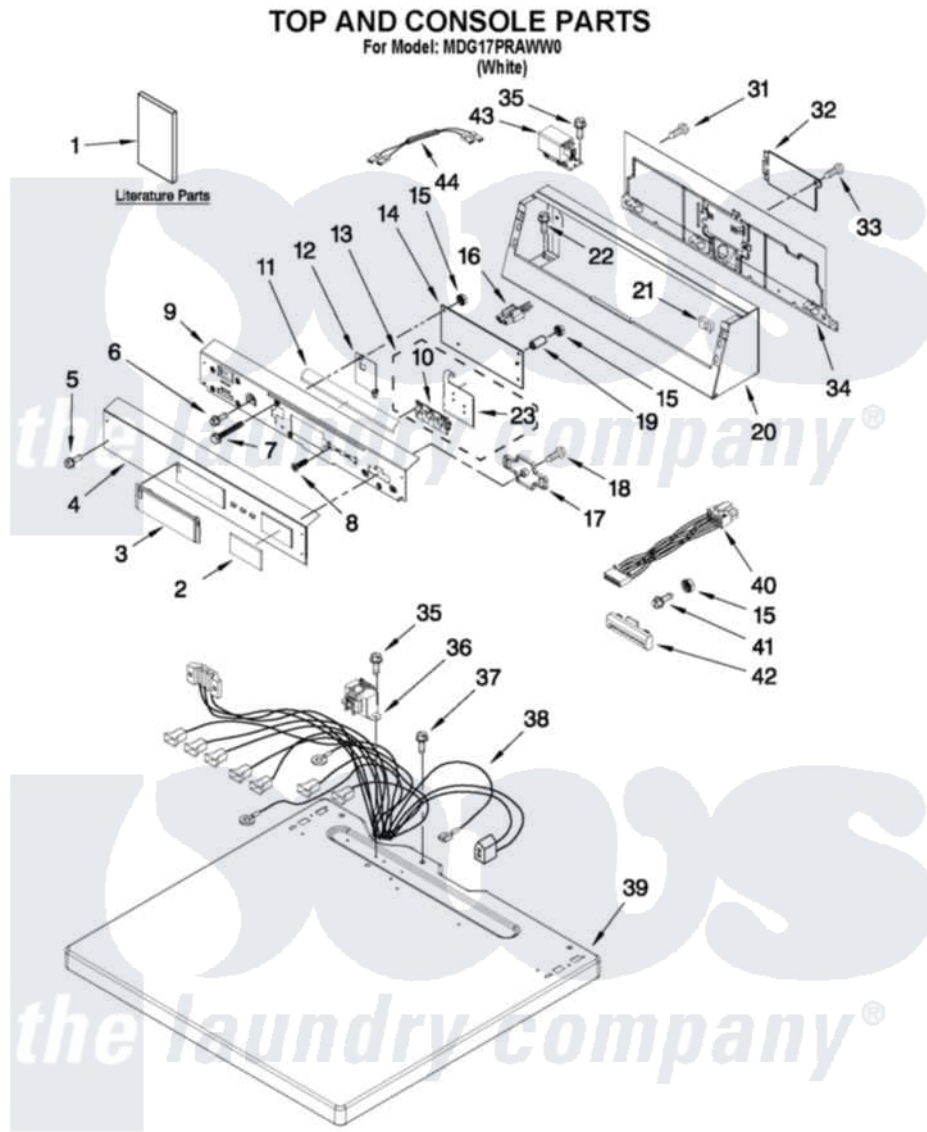


# Maytag MDG17PRAWW0 01 - TOP AND CONSOLE PARTS



W10135140

FOR ORDERING INFORMATION REFER TO PARTS PRICE LIST

2

Maytag [Commercial Maytag MDG17PRAWW0 Dryer Parts](#) Parts Diagram 01 - TOP AND CONSOLE PARTS  
Click on the part number to view part

Item	Original Part Number	Replaced By	Status	Part Description
1	W10135130		Not Available	Installation Instructions
"	W10135291		Not Available	Card Reader Installation Instructions
"	W10183571		Not Available	Tech Sheet
"	<a href="#">W10143804</a>			Wiring Diagram
"	<a href="#">W10135140</a>			Repair Parts List
2	<a href="#">W10137769</a>			Cover, Card Reader
3	<a href="#">W10131114</a>			Cover, Display
4	<a href="#">W10135182</a>			Facia / Overlay
5	<a href="#">W10131119</a>			Screw, 8-18 X 5/16
6	W10142728	<a href="#">3370225</a>		Screw
7	<a href="#">W10137322</a>			Screw, 6-20 X 1.00
8	<a href="#">W10140652</a>			Screw, 6-20 X 1/2
9	<a href="#">W10124215</a>			Bracket, Control
10	<a href="#">W10131113</a>			Push Button
11	<a href="#">W10133515</a>			Deflector Switch Assembly
12	<a href="#">W10161476</a>			Shield, Probing

13	<a href="#">W10135233</a>		Push Button And Switch Assembly
14	<a href="#">W10130081</a>		Control Board
15	<a href="#">W10139046</a>		Nut 6-32
16	<a href="#">W10133282</a>		Switch, Jumper Service Vault
17	<a href="#">W10137770</a>		Retainer, Card Reader Cover
18	<a href="#">3400618</a>		Screw, 6-19 X 3/8
19	<a href="#">W10133514</a>		Spacer
20	W10205150	<a href="#">W10235158</a>	Console
21	<a href="#">W10131123</a>		NUt, 8 U-Type
22	<a href="#">W10139210</a>		Screw, 8-18 X 5/16
23	<a href="#">W10135255</a>		Assembly, Membrane Switch And Backer Plate
31	3390647	<a href="#">488729</a>	Screw
32	<a href="#">8317340</a>		Cover, Terminal Block
33	3390814	<a href="#">90767</a>	Screw, 8A X 3/8 HeX Washer Head Tapping
34	<a href="#">W10177312</a>		Panel, Rear
35	8533971	<a href="#">90767</a>	Screw, 8A X 3/8 HeX Washer Head Tapping
36	<a href="#">W10131839</a>		Transformer 120 To 22.5 Vac
37	<a href="#">3400000</a>		Screw, 10-24 X 3/8
38	<a href="#">W10130190</a>		Harness, Main
39	<a href="#">W10136704</a>		Top
40	<a href="#">W10133304</a>		Harness, Wiring Card Reader
41	<a href="#">W10143462</a>		Screw, 6-32 X 9/16
42	<a href="#">W10131115</a>		Bezel
43	8540229	<a href="#">W10339736</a>	Filter, Interference
44	<a href="#">W10175650</a>		Jumper-Line Filter

*the laundry company*<sup>®</sup>

*the laundry company*<sup>®</sup>