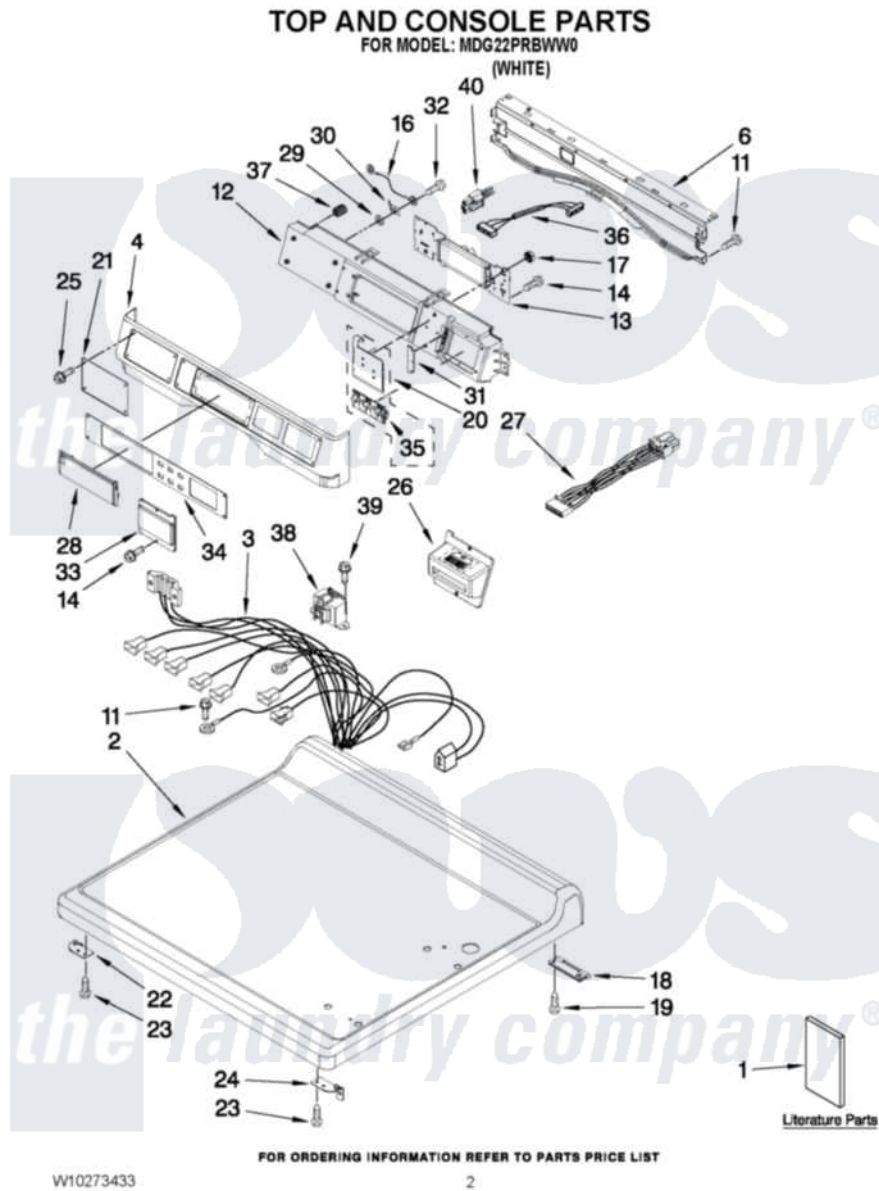


# Maytag MDG22PRBWW0 01 - TOP AND CONSOLE PARTS



Maytag [Commercial Maytag MDG22PRBWW0 Dryer Parts](#) Parts Diagram 01 - TOP AND CONSOLE PARTS  
Click on the part number to view part

Item	Original Part Number	Replaced By	Status	Part Description
1	W10135154		Not Available	Installation Instructions
"	W10165325		Not Available	Installation Instructions, Card Reader
"	W10239200		Not Available	TECH SHEET
"	<a href="#">W10273433</a>			PARTS LIST
2	<a href="#">W10137410</a>			Top
3	<a href="#">W10111006</a>			Harness, Main
4	<a href="#">W10137459</a>			Console
6	<a href="#">8565237</a>			Bracket, Console
11	3390647	<a href="#">488729</a>		Screw
12	<a href="#">W10137427</a>			Console
13	<a href="#">W10166363</a>			User-Interface Assembly
14	<a href="#">489136</a>			Screw, 3-24 X 1/32
16	<a href="#">W10188087</a>			Ground Wire Assembly
17	<a href="#">W10139046</a>			Nut 6-32
18	<a href="#">8565018</a>			Assembly, Hinge And Pin
19	342055	<a href="#">488627</a>		Screw

20	<a href="#">W10135255</a>		Assembly, Membrane Switch And Backer Plate
21	<a href="#">W10137461</a>		Fascia-Dispenser
22	<a href="#">W10137445</a>		Bracket - Top Panel, Left
23	3390647	<a href="#">488729</a>	Screw
24	<a href="#">W10137444</a>		Bracket - Top Panel, Right
25	<a href="#">W10137457</a>		Screw, 8-32 X 3/64
26	<a href="#">W10137454</a>		Bezel, Card Reader
27	<a href="#">W10133304</a>		Harness, Wiring Card Reader
28	<a href="#">W10131114</a>		Cover, Display
29	<a href="#">W10189075</a>		Washer, Brass
30	<a href="#">3373818</a>		Tab-Grounding
31	<a href="#">W10187276</a>		Seal, Console
32	<a href="#">488234</a>		Screw 8-32 X 1/4
33	W10137477	<a href="#">W10213906</a>	Cover, Card Reader
34	<a href="#">W10137439</a>	<a href="#">W10334889</a>	Fascia-Console
35	<a href="#">W10131113</a>		Push Button
36	<a href="#">W10166307</a>		Harness, Communication
37	<a href="#">W10189313</a>		Inserts
38	<a href="#">W10131839</a>		Transformer 120 To 22.5 Vac
39	8533971	<a href="#">90767</a>	Screw, 8A X 3/8 HeX Washer Head Tapping
40	<a href="#">W10133282</a>		Switch, Jumper Service Vault

