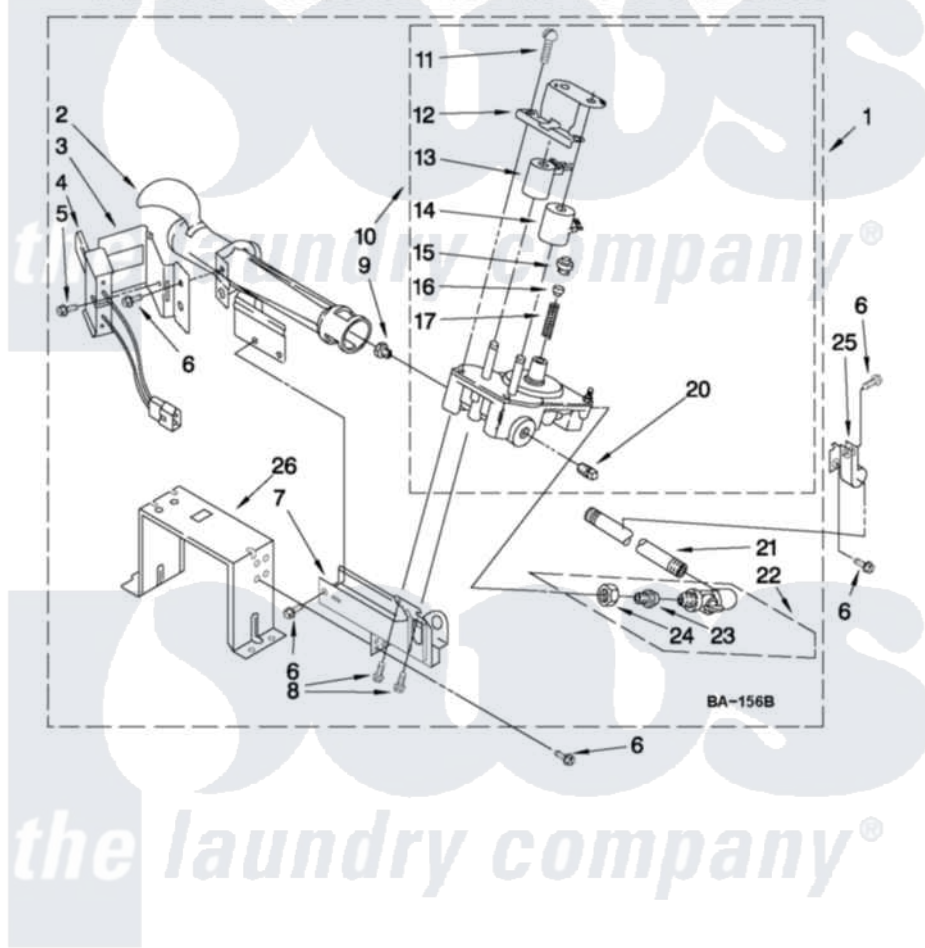


# Maytag MDG22PRBWW0 04 - W10135231 BURNER ASSEMBLY

## W10135231 BURNER ASSEMBLY

FOR MODEL: MDG22PRBWW0  
(WHITE)

USE WITH TYPE 1 - NATURAL, TYPE 2 - MIXED,  
AND TYPE 4 - LIQUEFIED PROPANE AND BUTANE GASES



FOR ORDERING INFORMATION REFER TO PARTS PRICE LIST

W10273433

8

Maytag Commercial Maytag MDG22PRBWW0 Dryer Parts Parts Diagram 04 - W10135231 BURNER ASSEMBLY  
Click on the part number to view part

| Item | Original Part Number      | Replaced By               | Status        | Part Description                   |
|------|---------------------------|---------------------------|---------------|------------------------------------|
| 1    | <a href="#">W10135231</a> | <a href="#">W10492508</a> |               | Burner-Gas                         |
| 2    | 688617                    | <a href="#">693140</a>    |               | Burner                             |
| 3    | <a href="#">694298</a>    |                           |               | Bracket, Ignitor                   |
| 4    | 686590                    | <a href="#">279311</a>    |               | Ignitor                            |
| 5    | <a href="#">3393909</a>   |                           |               | Screw, 8-32 X 7/8                  |
| 6    | 343641                    | <a href="#">681414</a>    |               | Screw, 10AB X 1/2                  |
| 7    | 3389871                   |                           | Not Available | Base, Burner                       |
| 8    | <a href="#">3387057</a>   |                           |               | Screw, 10-16 X 1/2 Orifice, Burner |
| 9    | <a href="#">234870</a>    |                           |               | Orifice, Burner                    |
| "    | <a href="#">234868</a>    |                           |               | Orifice, Burner                    |
| 10   | <a href="#">W10141728</a> |                           |               | Valve, Gas 60 Hz                   |
| 11   | <a href="#">694421</a>    |                           |               | Screw, Bracket Mounting            |
| 12   | <a href="#">694538</a>    |                           |               | Bracket, Shunt                     |
| 13   | <a href="#">694540</a>    |                           |               | Coil, 60 Hz                        |
| 14   | <a href="#">694539</a>    |                           |               | Coil, 60 Hz                        |
| 15   | <a href="#">694424</a>    |                           |               | Leak, Limiter                      |

|    |                           |                           |                               |
|----|---------------------------|---------------------------|-------------------------------|
| 16 | <a href="#">694423</a>    |                           | Screw, Regulator Adjustment   |
| 17 | <a href="#">694422</a>    |                           | Spring, Regulator             |
| 20 | 239822                    | <a href="#">W10295523</a> | Plug, Pipe                    |
| 21 | <a href="#">W10110395</a> |                           | Pipe, Gas Supply              |
| 22 | <a href="#">697441</a>    |                           | Valve And Union Shut-Off      |
| 23 | <a href="#">3393767</a>   |                           | Pipe, Tail                    |
| 24 | <a href="#">233076</a>    |                           | Nut, Compression              |
| 25 | <a href="#">3387561</a>   |                           | Clamp-Pipe                    |
| 26 | <a href="#">3389889</a>   |                           | Bracket, Support              |
| NI | <a href="#">W10436933</a> |                           | Conversion Kit To Type L.P.G. |

