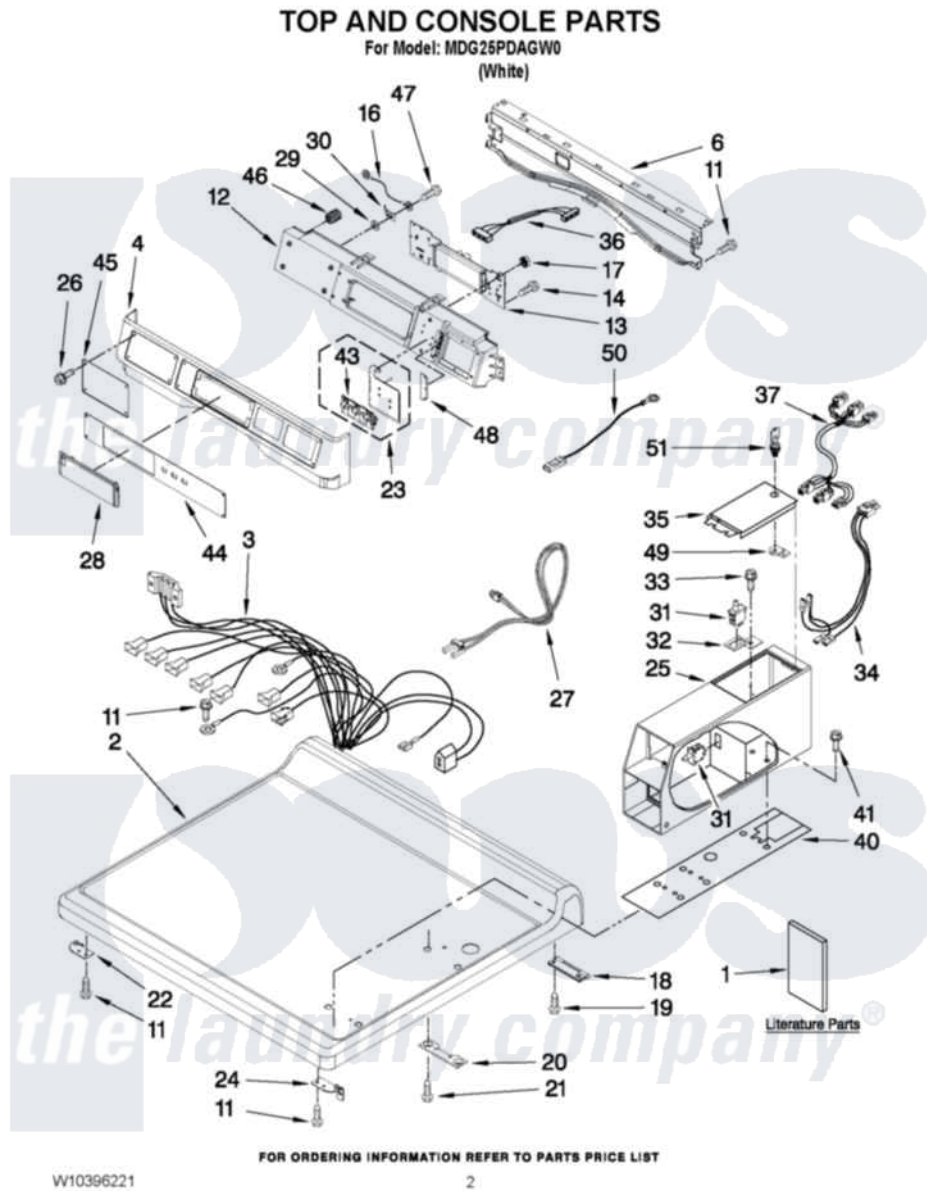


Maytag MDG25PDAGW0 01 - TOP AND CONSOLE PARTS



Maytag [Commercial Maytag MDG25PDAGW0 Dryer Parts](#) Parts Diagram 01 - TOP AND CONSOLE PARTS
Click on the part number to view part

| Item | Original Part Number | Replaced By | Status | Part Description |
|------|---------------------------|-------------|---------------|--------------------------|
| 1 | W10233252 | | | USER INSTRUCTION |
| " | W10239207 | | Not Available | INSTALLATION INSTRUCTION |
| " | W10239197 | | Not Available | Tech Sheet |
| " | W10335191 | | | PARTS LIST |
| 2 | W10137411 | | | Top |
| 3 | W10328027 | | | Harness, Main |
| 4 | W10137459 | | | Console |
| 6 | 8565237 | | | Bracket, Console |
| 11 | W10142290 | | | Screw, 8-18 X 5/16 |
| 12 | W10137427 | | | Console |
| 13 | W10166343 | | | User-Interface Assembly |
| 14 | 489136 | | | Screw, 3-24 X 1/32 |
| 16 | W10188087 | | | Ground Wire Assembly |
| 17 | W10139046 | | | Nut 6-32 |
| 18 | 8565018 | | | Assembly, Hinge And Pin |
| 19 | W10080310 | | | Screw, 8-18 X 1/2 |

| | | | |
|----|---------------------------|-------------------------|---|
| 20 | 3347825 | 3353813 | Plate, Mounting |
| 21 | 98445 | | Screw, 10-16 X 3/4 |
| 22 | W10137445 | | Bracket - Top Panel, Left |
| 23 | W10135255 | | Assembly, Membrane Switch And Backer Plate |
| 24 | W10137444 | | Bracket - Top Panel, Right |
| 25 | W10171128 | | Meter Case |
| 26 | W10137457 | | Screw, 8-32 X 3/64 |
| 27 | W10247389 | | Sensor |
| 28 | W10267645 | | Cover, Display |
| 29 | W10189075 | | Washer, Brass |
| 30 | 3373818 | | Tab-Grounding |
| 31 | W10131838 | | Switch, Vault And Service Door |
| 32 | W10133508 | | Bracket, Service Switch |
| 33 | W10139210 | | Screw, 8-18 X 5/16 |
| 34 | W10211244 | | Wire, Harness Service Switch |
| 35 | 3351136 | | Service Door Assembly |
| 36 | W10166307 | | Harness, Communication |
| 37 | W10166308 | | Harness, Meter Case |
| 40 | W10137448 | | Cushion, Meter Case |
| 41 | 3353994 | | Bolt, Meter Case Mounting |
| " | 3349065 | | Bolt, Meter Case Mounting |
| 43 | W10131113 | | Push Button |
| 44 | W10334891 | | Fascia-Console |
| 45 | W10137461 | | Fascia-Dispenser |
| 46 | W10189313 | | Inserts |
| 47 | 488234 | | Screw 8-32 X 1/4 |
| 48 | W10187276 | | Seal, Console |
| 49 | W10156125 | | Cam-Lock |
| 50 | W10257051 | | Jumper, Static |
| 51 | 8316526 | 4396668 | Lock-Cam |

