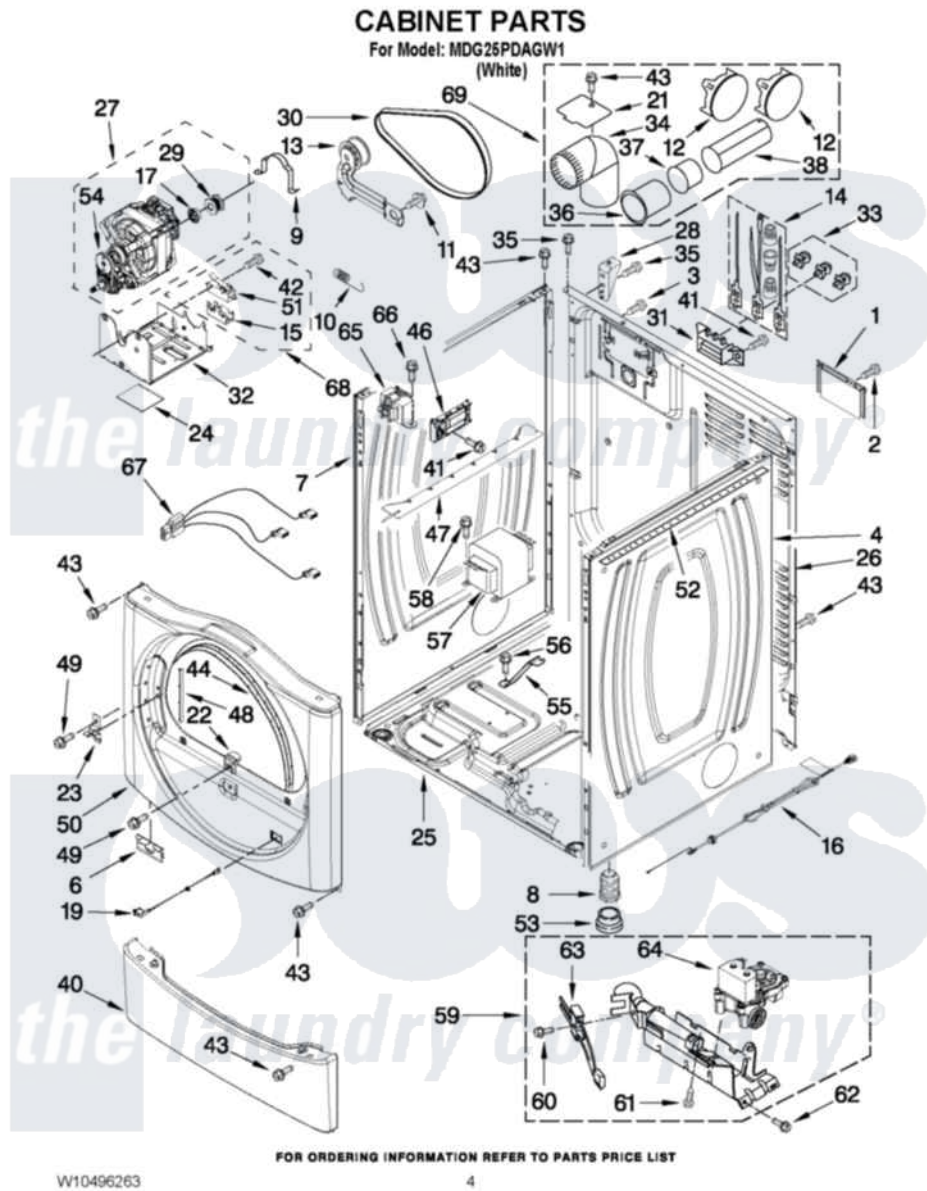


Maytag MDG25PDAGW1 02 - CABINET PARTS



Maytag [Commercial Maytag MDG25PDAGW1 Dryer Parts](#) Parts Diagram 02 - CABINET PARTS
Click on the part number to view part

Item	Original Part Number	Replaced By	Status	Part Description
1	W10096918			Cover, Terminal Block
2	3390814	90767		Screw, 8A X 3/8 HeX Washer Head Tapping
3	8533974	4331106		Screw, No.10-32 X 7/16
4	8565048			Panel, Side
6	8519459			Clip, Toe Panel
7	8565054			Panel, Side
8	3392100	49621		Feet-Leveling
NI	279810			Foot-Optional
9	660658			Clamp, Motor Mounting 343481 685441
10	3387374			Spring, Idler
11	3389420			Retainer-Idler 1/4-20 X 1/16
12	697750	W10470674		Dryer Exhaust Kit
13	W10344192			Idler Assembly
14	279318			Terminal Tinned And Brass Panel

15	8564011		Bracket-Switch
16	W10476824		Cord, Power
NI	N/P	Not Available	PARTS NOT SHOWN
"	W10446855		10A Cord Lock
"	W10476818		10A Cord Adapters
"	W10476822		10A Cord Adapters:
"	W10476820		10A Cord Adapters:
17	3393657		Restrainer, Belt
19	W10251066		Assembly, Door Switch
21	8066115	3394331	Plate Cover
22	8580015		Ramp, Door
23	8565122		Strike, Door
24	W10212660		Pad, Sound Dampening
25	W10225178		Base, Cabinet
26	W10225180		Panel, Rear
27	W10289662	W10416574	Motor-Drve
28	W10137398		Stop, Top Panel
29	W10167237		Pulley
30	W10131172		Belt, Drive
31	3397659		Block, Terminal
32	W10135695		Bracket, Motor
33	279393		Terminal Block Screw Kit
34	49026		4" - 90° Elbow
35	3390647	488729	Screw
36	8563747		Exhaust Pipe Medium Pipe
37	8563750		Exhaust Pipe
38	8563749		Exhaust Pipe
40	8540621		Panel, Toe
41	8533971	90767	Screw, 8A X 3/8 HeX Washer Head Tapping
42	3400934		Assembly, Screw And Insulator
43	3390647	488729	Screw
44	3387242		Seal, Front Panel
46	W10166377		Control Board
47	8563727		Bracket, Control
48	8565043		Plug, Strip Front Panel
49	3357011	308685	Side Trim)
50	W10255282		Front Panel
51	W10410873		Assembly, Switch And Actuator
52	8318396		Foam-Seal
53	3391943		Boot, Foot
54	3405160		Belt, Drive
55	W10181903		Bracket, Burner
56	90767		Screw, 8A X 3/8 HeX Washer Head Tapping
57	3977633		Autotransformer
58	3400000		Screw, 10-24 X 3/8
59	W10469829	Not Available	BURNER ASSEMBLY 50 HZ. (REFER TO PAGE 8 & 9 FOR FURTHER BREAKDOWN)
60	3351614		Screw, Gearcase Cover Mounting
61	3387057		Screw, 10-16 X 1/2 Orifice, Burner

62	W10080630	3387057	Screw, 10-16 X 1/2 Orifice, Burner
63	686590	279311	Ignitor
64	W10304603		Valve, Gas 60 Hz
65	W10205520		Transformer, 120 To 22.5
66	8533971	90767	Screw, 8A X 3/8 HeX Washer Head Tapping
67	W10250903		Transformer Jumper
68	W10259136		Switch, Assembly
NI	279818	W10470674	Dryer Exhaust Kit

