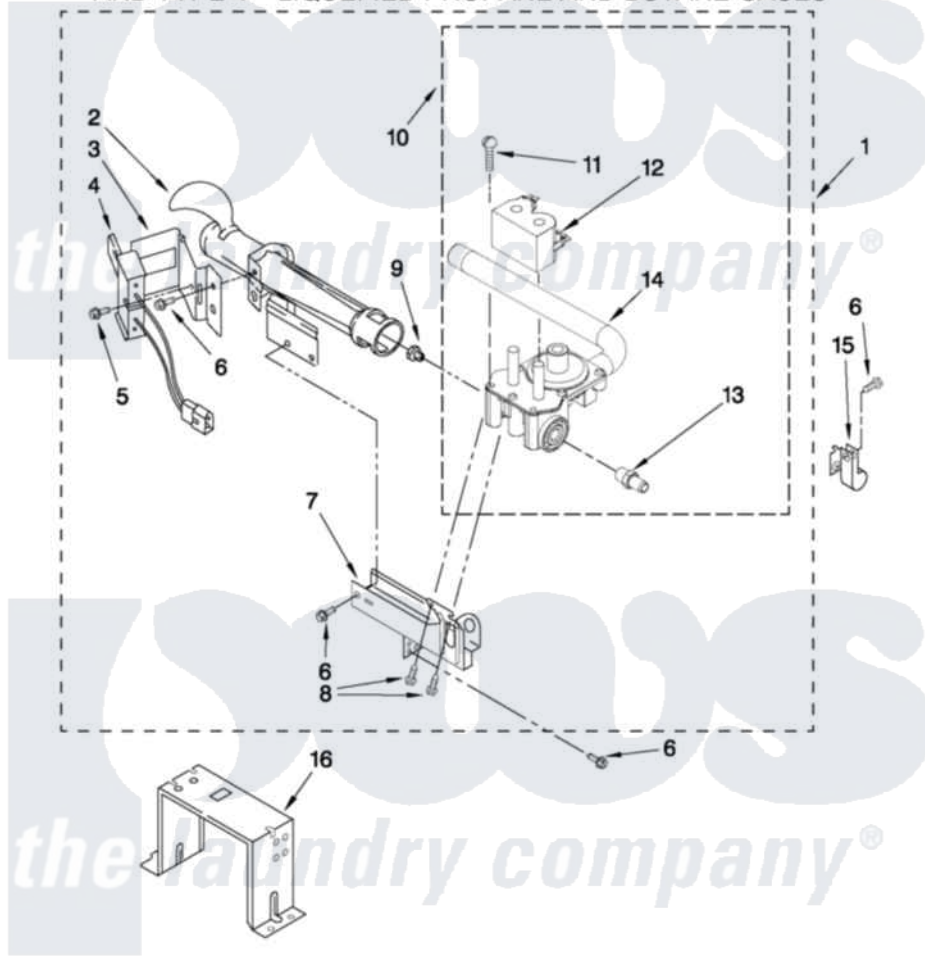


Maytag MDG25PDAGW1 04 - BURNER ASSEMBLY

BURNER ASSEMBLY

For Model: MDG25PDAGW1
(White)

USE WITH TYPE 1 - NATURAL, TYPE 2 - MIXED,
AND TYPE 4 - LIQUEFIED PROPANE AND BUTANE GASES



FOR ORDERING INFORMATION REFER TO PARTS PRICE LIST

W10496263

8

Maytag [Commercial Maytag MDG25PDAGW1 Dryer Parts](#) Parts Diagram 04 - BURNER ASSEMBLY

[Click on the part number to view part](#)

Item	Original Part Number	Replaced By	Status	Part Description
1	W10469829		Not Available	BURNER ASSEMBLY 50 HZ. (REFER TO PAGE 8 & 9 FOR FURTHER BREAKDOWN)
2	688617	693140		Burner
3	694298			Bracket, Ignitor
4	686590	279311		Ignitor
5	3393909			Screw, 8-32 X 7/8
6	343641	681414		Screw, 10AB X 1/2
7	3389871		Not Available	Base, Burner
8	3387057			Screw, 10-16 X 1/2 Orifice, Burner
9	234660			Orifice, Burner Type 1
"	234868			Orifice, Burner
10	W10304603			Valve, Gas 60 Hz
11	326049536			Screw, Coil
12	W10340251		Not Available	COIL, 50 HZ.
13	W10304608		Not Available	TAP, PRESSURE

14	W10097610	Pipe, Gas Supply
15	3387561	Clamp-Pipe
16	3389889	Bracket, Support
NI	W10233219	Conversion Kit To Type L.P.G.

