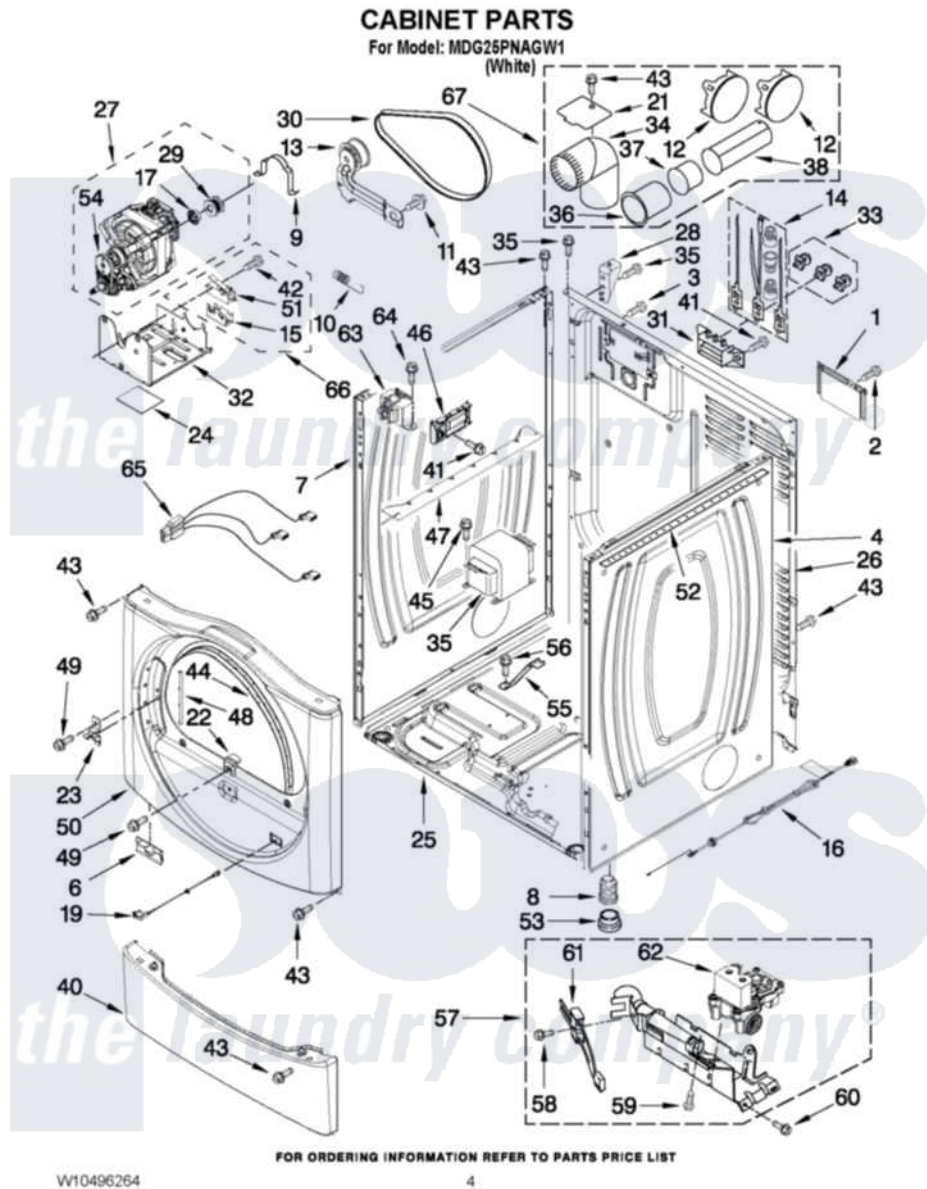


# Maytag MDG25PNAGW1 02 - CABINET PARTS



Maytag [Commercial Maytag MDG25PNAGW1 Dryer Parts](#) Parts Diagram 02 - CABINET PARTS  
Click on the part number to view part

Item	Original Part Number	Replaced By	Status	Part Description
1	<a href="#">W10096918</a>			Cover, Terminal Block
2	3390814	<a href="#">90767</a>		Screw, 8A X 3/8 HeX Washer Head Tapping
3	8533974	<a href="#">4331106</a>		Screw, No.10-32 X 7/16
4	<a href="#">8565048</a>			Panel, Side
6	<a href="#">8519459</a>			Clip, Toe Panel
7	<a href="#">8565054</a>			Panel, Side
8	3392100	<a href="#">49621</a>		Feet-Leveling
NI	<a href="#">279810</a>			Foot-Optional
9	<a href="#">660658</a>			Clamp, Motor Mounting 343481 685441
10	<a href="#">3387374</a>			Spring, Idler
11	<a href="#">3389420</a>			Retainer-Idler 1/4-20 X 1/16
12	697750	<a href="#">W10470674</a>		Dryer Exhaust Kit
13	<a href="#">W10344192</a>			Idler Assembly
14	<a href="#">279318</a>			Terminal Tinned And Brass Panel

15	<a href="#">8564011</a>		Bracket-Switch
16	<a href="#">W10476824</a>		Cord, Power
NI	N/P	Not Available	PARTS NOT SHOWN
"	<a href="#">W10446855</a>		10A Cord Lock
"	<a href="#">W10476818</a>		10A Cord Adapters
"	<a href="#">W10476822</a>		10A Cord Adapters:
"	<a href="#">W10476820</a>		10A Cord Adapters:
17	<a href="#">3393657</a>		Restrainer, Belt
19	<a href="#">W10251066</a>		Assembly, Door Switch
21	8066115	<a href="#">3394331</a>	Plate Cover
22	<a href="#">8580015</a>		Ramp, Door
23	<a href="#">8565122</a>		Strike, Door
24	<a href="#">W10212660</a>		Pad, Sound Dampening
25	<a href="#">W10225178</a>		Base, Cabinet
26	<a href="#">W10225180</a>		Panel, Rear
27	W10289662	<a href="#">W10416574</a>	Motor-Drve
28	<a href="#">W10137398</a>		Stop, Top Panel
29	<a href="#">W10167237</a>		Pulley
30	<a href="#">W10131172</a>		Belt, Drive
31	<a href="#">3397659</a>		Block, Terminal
32	<a href="#">W10135695</a>		Bracket, Motor
33	<a href="#">279393</a>		Terminal Block Screw Kit
34	<a href="#">49026</a>		4" - 90° Elbow
35	<a href="#">3977633</a>		Autotransformer
36	<a href="#">8563747</a>		Exhaust Pipe Medium Pipe
37	<a href="#">8563750</a>		Exhaust Pipe
38	<a href="#">8563749</a>		Exhaust Pipe
40	<a href="#">8540621</a>		Panel, Toe
41	8533971	<a href="#">90767</a>	Screw, 8A X 3/8 HeX Washer Head Tapping
42	<a href="#">3400934</a>		Assembly, Screw And Insulator
43	<a href="#">W10080700</a>		Screw, 8-18 X 1/2
44	<a href="#">3387242</a>		Seal, Front Panel
45	W10080740	<a href="#">3400000</a>	Screw, 10-24 X 3/8
46	<a href="#">W10166377</a>		Control Board
47	<a href="#">8563727</a>		Bracket, Control
48	<a href="#">8565043</a>		Plug, Strip Front Panel
49	3357011	<a href="#">308685</a>	Side Trim )
50	<a href="#">W10255282</a>		Front Panel
51	<a href="#">W10410873</a>		Assembly, Switch And Actuator
52	<a href="#">8318396</a>		Foam-Seal
53	<a href="#">3391943</a>		Boot, Foot
54	<a href="#">3405160</a>		Belt, Drive
55	<a href="#">W10181903</a>		Bracket, Burner
56	W10080390	<a href="#">693995</a>	Screw, Hex Head
57	W10469829	Not Available	BURNER ASSEMBLY 50 HZ. (REFER TO PAGE 8 & 9 FOR FURTHER BREAKDOWN)
58	W10080730	<a href="#">3393909</a>	Screw, 8-32 X 7/8
59	<a href="#">W10080320</a>		Screw, 10-16 X 1/2
60	W10080630	<a href="#">3387057</a>	Screw, 10-16 X 1/2 Orifice, Burner
61	686590	<a href="#">279311</a>	Ignitor

62	<a href="#">W10304603</a>	Valve, Gas 60 Hz	
63	<a href="#">W10205520</a>	Transformer, 120 To 22.5	
64	<a href="#">W10080820</a>	Screw, 8-18 X .298	
65	<a href="#">W10250903</a>	Transformer Jumper	
66	<a href="#">W10259136</a>	Switch, Assembly	
NI	279818	<a href="#">W10470674</a>	Dryer Exhaust Kit

