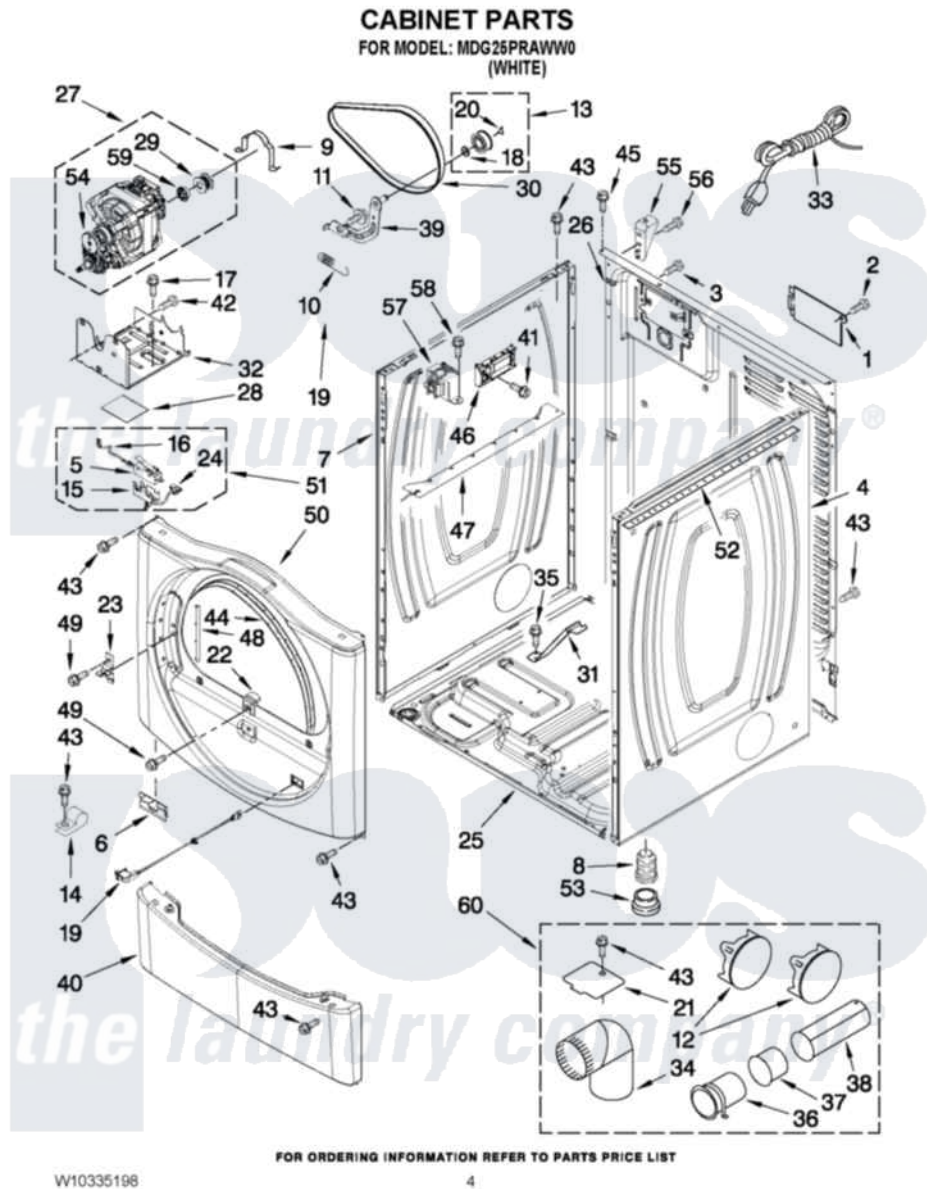


# Maytag MDG25PRAWW0 02 - CABINET PARTS



W10335198

4

Maytag [Commercial Maytag MDG25PRAWW0 Dryer Parts](#) Parts Diagram 02 - CABINET PARTS  
Click on the part number to view part

Item	Original Part Number	Replaced By	Status	Part Description
1	<a href="#">8317340</a>			Cover, Terminal Block
2	3390814	<a href="#">90767</a>		Screw, 8A X 3/8 HeX Washer Head Tapping
3	8533974	<a href="#">4331106</a>		Screw, No.10-32 X 7/16
4	<a href="#">8565048</a>			Panel, Side
5	<a href="#">8564010</a>			Assembly, Switch And Actuator
6	<a href="#">8519459</a>			Clip, Toe Panel
7	<a href="#">8565054</a>			Panel, Side
8	3392100	<a href="#">49621</a>		Feet-Leveling
NI	<a href="#">279810</a>			Foot-Optional
9	<a href="#">660658</a>			Clamp, Motor Mounting 343481 685441
10	<a href="#">3387374</a>			Spring, Idler
11	<a href="#">3389420</a>			Retainer-Idler 1/4-20 X 1/16
12	697750	<a href="#">W10470674</a>		Dryer Exhaust Kit
13	3388672	<a href="#">279640</a>		Pulley-ldr

14	<a href="#">3978776</a>		Bracket, Gas Pipe Switch
15	<a href="#">8564011</a>		Bracket-Switch
16	<a href="#">W10167613</a>		Wire, Belt Switch
17	343641	<a href="#">681414</a>	Screw, 10AB X 1/2
18	<a href="#">233520</a>		Washer, Thrust
19	<a href="#">W10128087</a>	<a href="#">W10318609</a>	Switch, Assembly Door
20	<a href="#">690997</a>		Washer, Thrust
21	8066115	<a href="#">3394331</a>	Plate Cover
22	<a href="#">8565083</a>		Ramp, Door
23	<a href="#">8565122</a>		Strike, Door
24	<a href="#">8539892</a>		Wire-Motor To Belt Switch
25	<a href="#">8565046</a>		(BROKEN BELT BASE, CABINET SWITCH)
26	<a href="#">8565059</a>		Panel, Rear
27	<a href="#">W10139766</a>	<a href="#">W10396034</a>	Motor Assembly 60 Hz
28	<a href="#">W10212660</a>		Pad, Sound Dampening
29	3394341	<a href="#">W10299847</a>	Pulley-Motor
30	<a href="#">W10131172</a>		Belt, Drive
31	<a href="#">8529757</a>		Bracket, Burner
32	<a href="#">W10135695</a>		Bracket, Motor
33	3401401	<a href="#">3401402</a>	Cord, Power
34	<a href="#">49026</a>		4" - 90° Elbow
35	<a href="#">693995</a>		Screw, Hex Head
36	<a href="#">8563747</a>		Exhaust Pipe Medium Pipe
37	<a href="#">8563750</a>		Exhaust Pipe
38	<a href="#">8563749</a>		Exhaust Pipe
39	<a href="#">W10141380</a>	<a href="#">W10344192</a>	Idler Assembly
40	<a href="#">8540621</a>		Panel, Toe
41	8533971	<a href="#">90767</a>	Screw, 8A X 3/8 HeX Washer Head Tapping
42	<a href="#">W10002600</a>		Screw, 6-20 X 1 1/4
43	3390647	<a href="#">488729</a>	Screw
44	<a href="#">3387242</a>		Seal, Front Panel
45	3393008	<a href="#">308685</a>	Side Trim )
46	<a href="#">W10166305</a>		Control Board
47	<a href="#">8563727</a>		Bracket, Control
48	<a href="#">8565043</a>		Plug, Strip Front Panel
49	3357011	<a href="#">308685</a>	Side Trim )
50	<a href="#">W10117421</a>		Front Panel
51	<a href="#">W10155571</a>		Switch, Assembly
52	<a href="#">8318396</a>		Foam-Seal
53	<a href="#">3391943</a>		Boot, Foot
54	<a href="#">3405160</a>		Belt, Drive
55	<a href="#">W10137398</a>		Stop, Top Panel
56	3390647	<a href="#">488729</a>	Screw
57	<a href="#">W10131839</a>		Transformer 120 To 22.5 Vac
58	8533971	<a href="#">90767</a>	Screw, 8A X 3/8 HeX Washer Head Tapping
59	<a href="#">3393657</a>		Restrainer, Belt
NI	279818	<a href="#">W10470674</a>	Dryer Exhaust Kit