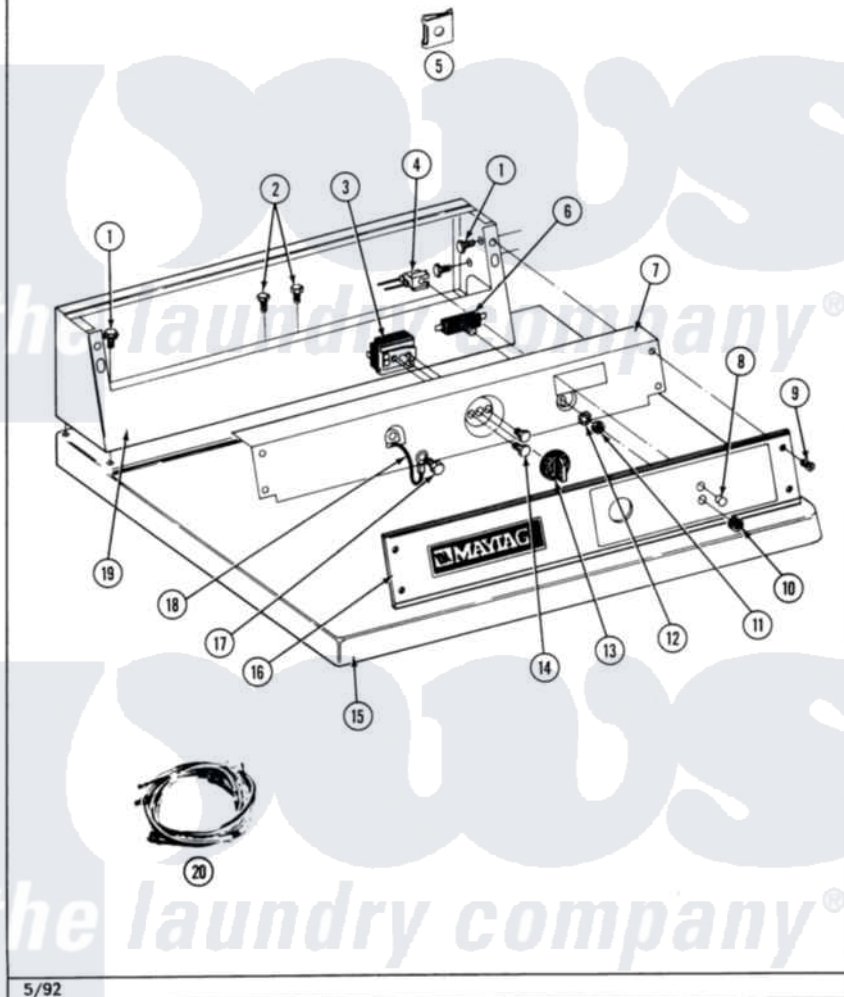


# Maytag MDG26CSAAL 03 - CS CONTROL PANEL

Section: CS CONTROL PANEL

P/N 16000340

Models: MDE-MDG26CS



5/92

6

Maytag [Commercial Maytag MDG26CSAAL Dryer Parts](#) Parts Diagram 03 - CS CONTROL PANEL

[Click on the part number to view part](#)

Item	Original Part Number	Replaced By	Status	Part Description
001	212276	<a href="#">W10116760</a>		Screw
002	Y314322	<a href="#">211251</a>		Screw, Transformer
003	307237	<a href="#">W10327105</a>		Switch, Cycle Selection
004	204075		Not Available	PILOT LAMP (DG MODELS ONLY)
005	<a href="#">215003</a>			Fastener, Panel And Bracket
006	306940	<a href="#">W10149462</a>		Switch, Push-To-Start
007	314912		Not Available	BRACKET, CONTROL PANEL (WHT)
"	NLA		Not Available	(ALM)
008	<a href="#">215564</a>			Lens, Indicator Light
009	<a href="#">212277</a>			Screw, No.8 X 1/2 Inch
010	<a href="#">Y312702</a>			Knurled Nut, Start Switch
011	Y312706	<a href="#">422617</a>		Nut
012	<a href="#">312751</a>			Lockwasher, Start Switch
013	<a href="#">306938</a>			Knob, Selector Switch
014	<a href="#">Y313588</a>	<a href="#">488234</a>		Screw 8-32 X 1/4

015	307105	Not Available	COVER, TOP ASSY. (WHT)
"	NLA	Not Available	(ALM)
016	NLA	Not Available	CONTROL PANEL
017	<a href="#">211252</a>		Screw, Ground Wire
018	<a href="#">205810</a>		Wire, Ground
019	NLA	Not Available	CONTROL COVER (WHT)
020	Y307175	Not Available	WIRE HARNESS, MAIN
"	NLA	Not Available	WIRE HARNESS

