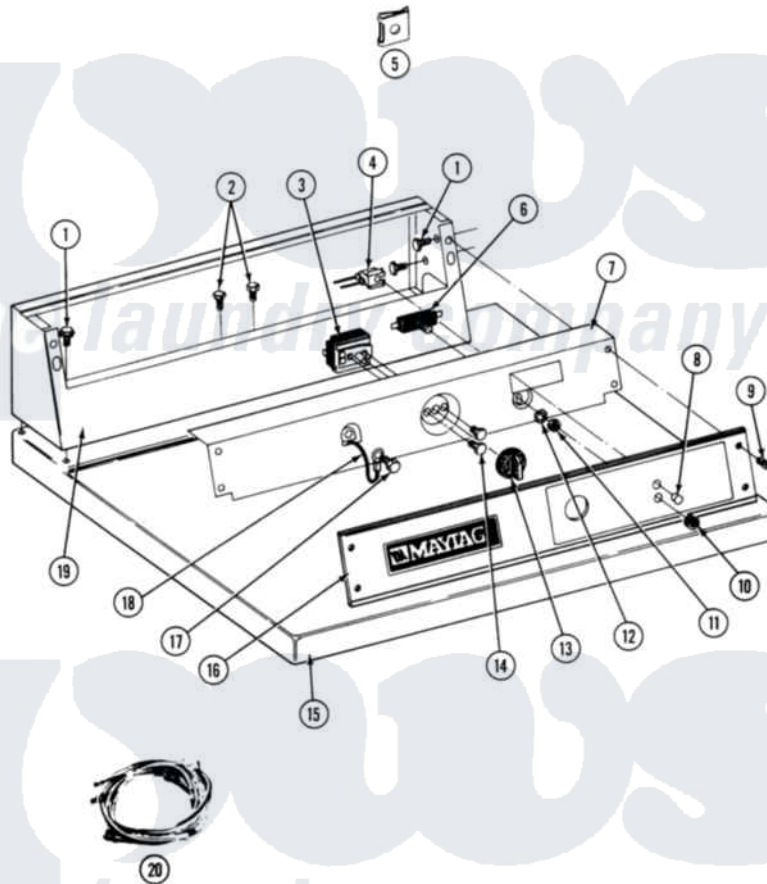


Maytag MDG26CSAGL 03 - CS CONTROL PANEL

Section: CS CONTROL PANEL

P/N 16000340

Models: MDE-MDG26CS



5/92

6

Maytag [Commercial Maytag MDG26CSAGL Dryer Parts](#) Parts Diagram 03 - CS CONTROL PANEL

[Click on the part number to view part](#)

Item	Original Part Number	Replaced By	Status	Part Description
001	212276	W10116760		Screw
002	Y314322	211251		Screw, Transformer
003	307237	W10327105		Switch, Cycle Selection
004	NLA		Not Available	INDICATOR LAMP
005	215003			Fastener, Panel And Bracket
006	306940	W10149462		Switch, Push-To-Start
007	314912		Not Available	BRACKET, CONTROL PANEL (WHT)
"	NLA		Not Available	(ALM)
008	215564			Lens, Indicator Light
009	212277			Screw, No.8 X 1/2 Inch
010	Y312702			Knurled Nut, Start Switch
011	Y312706	422617		Nut
012	312751			Lockwasher, Start Switch
013	306938			Knob, Selector Switch
014	Y313588	488234		Screw 8-32 X 1/4
015	307105		Not Available	COVER, TOP ASSY. (WHT)

"	NLA	Not Available	(ALM)
016	NLA	Not Available	CONTROL PANEL
017	211252		Screw, Ground Wire
018	205810		Wire, Ground
019	NLA	Not Available	CONTROL COVER (WHT)
020	NLA	Not Available	WIRE HARNESS (DG26CM)

