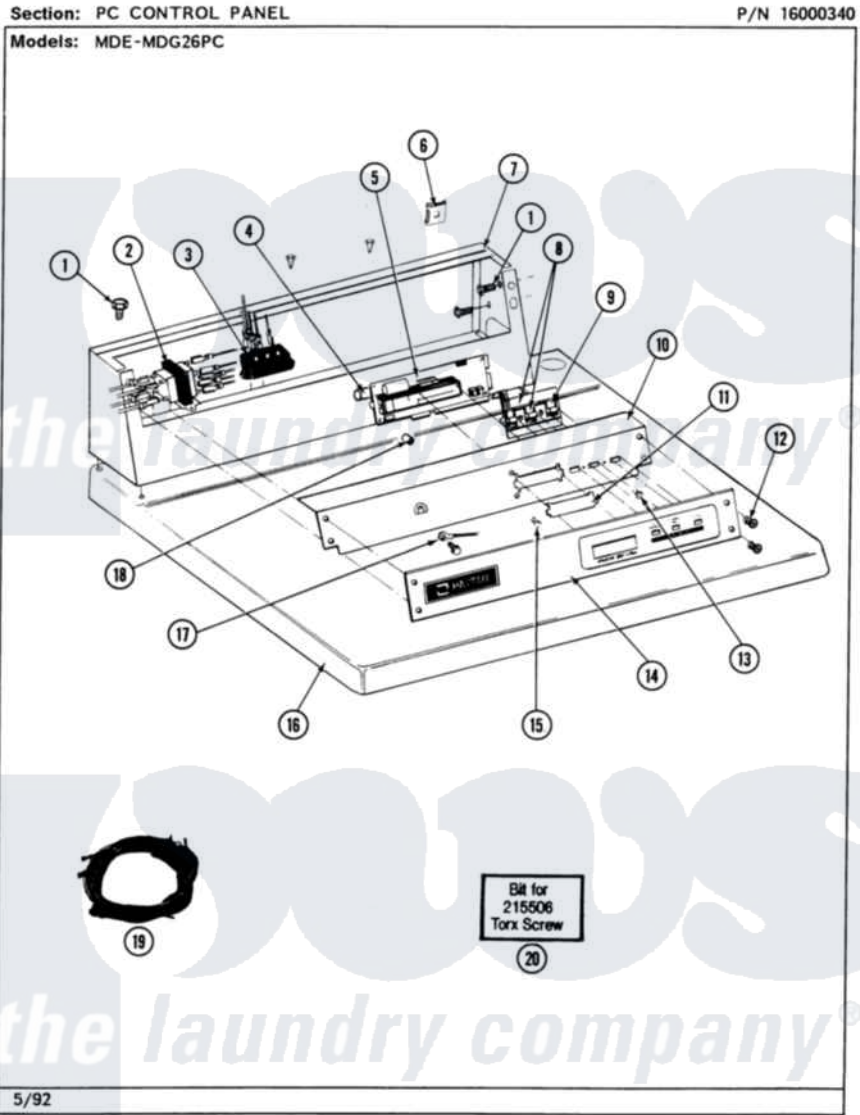


# Maytag MDG26PCABL 03 - PC CONTROL PANEL



12

Maytag [Commercial Maytag MDG26PCABL Dryer Parts](#) Parts Diagram 03 - PC CONTROL PANEL  
Click on the part number to view part

Item	Original Part Number	Replaced By	Status	Part Description
001	212276	<a href="#">W10116760</a>		Screw
002	<a href="#">207766</a>			Transformer
"	<a href="#">211294</a>	<a href="#">90767</a>		Screw, 8A X 3/8 HeX Washer Head Tapping
003	206824	<a href="#">W10133335</a>		Relay, Motor
"	<a href="#">211294</a>	<a href="#">90767</a>		Screw, 8A X 3/8 HeX Washer Head Tapping
004	<a href="#">206828</a>			Battery
005	215510		Not Available	SUPPORT, PC BOARD
"	NLA		Not Available	CIRCUIT BOARD ASSY
006	<a href="#">215003</a>			Fastener, Panel And Bracket
007	212276	<a href="#">W10116760</a>		Screw
"	NLA		Not Available	CONTROL COVER (WHT)
008	<a href="#">306694</a>			Backup Plate With Switch
009	215517	<a href="#">W10131113</a>		Push Button
010	NLA		Not Available	BACK UP PLATE (WHT)
011	215515		Not Available	COVER, DISPLAY

012	<a href="#">215506</a>		Screw, Control Panel Overlay
013	215527	<a href="#">W10140652</a>	Screw, 6-20 X 1/2
014	NLA		Not Available CONTROL PANEL
015	<a href="#">215526</a>		Screw, Circuit Board
016	307105		Not Available COVER, TOP ASSY. (WHT)
"	NLA		Not Available (ALM)
017	<a href="#">205810</a>		Wire, Ground
"	<a href="#">211252</a>		Screw, Ground Wire
018	<a href="#">Y215513</a>		Standoff, Circuit Board
019	<a href="#">308368</a>		Wire Harness
"	NLA		Not Available WIRE HARNESS
"	<a href="#">Y308513</a>		Harness, Wire
020	Y038227		Not Available TORX BIT (215506 SCREW)

*the laundry company*<sup>®</sup>

*the laundry company*<sup>®</sup>

*the laundry company*<sup>®</sup>