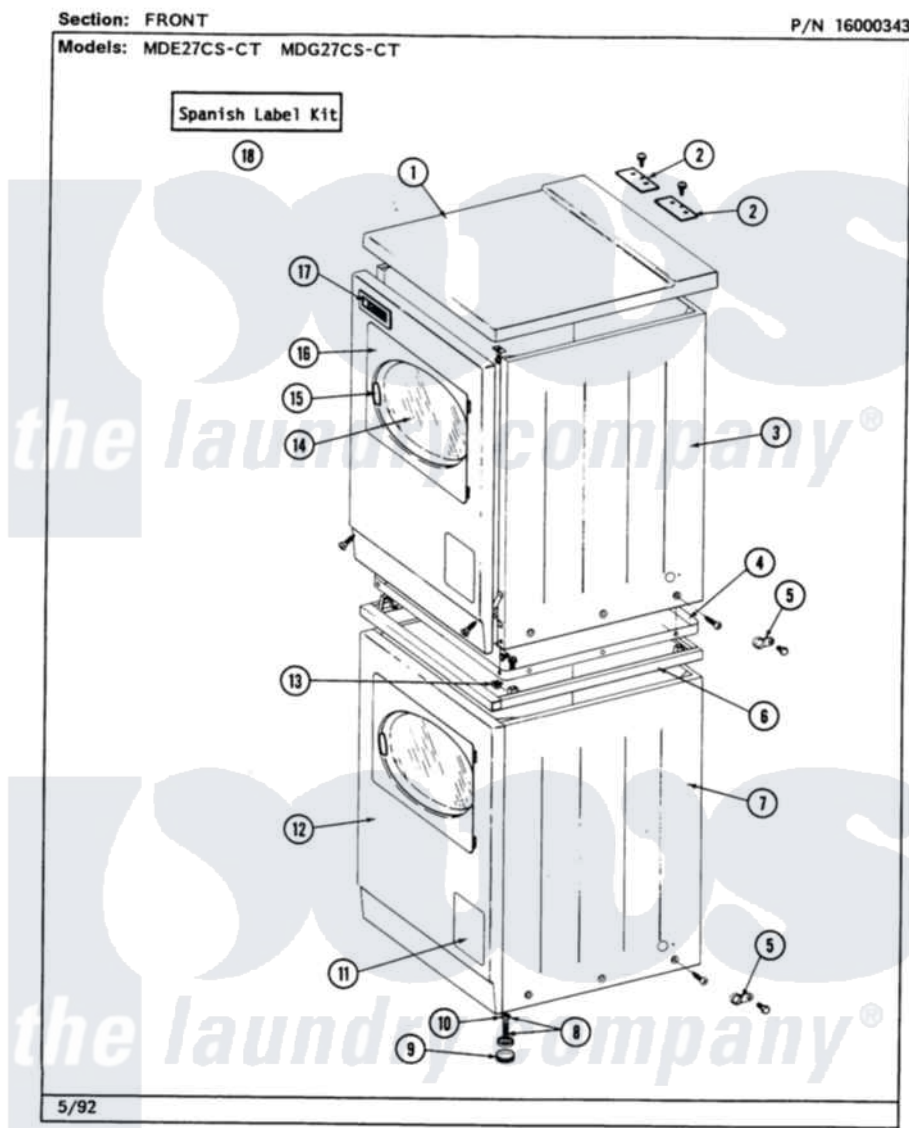


# Maytag MDG27CSABL 01 - FRONT



2

Maytag [Commercial Maytag MDG27CSABL Dryer Parts](#) Parts Diagram 01 - FRONT  
 Click on the part number to view part

| Item | Original Part Number    | Replaced By               | Status        | Part Description               |
|------|-------------------------|---------------------------|---------------|--------------------------------|
| 001  | <a href="#">307104</a>  |                           |               | Top Cover Assembly             |
| "    | NLA                     |                           | Not Available | (ALMOND)                       |
| 002  | NLA                     |                           | Not Available | TOP COVER PLATE                |
| "    | <a href="#">Y313559</a> |                           |               | Screw                          |
| 003  | <a href="#">204445</a>  |                           |               | Screw And Fastener Assembly    |
| "    | <a href="#">213007</a>  |                           |               | Xfor Cabinet See Cabinet, Back |
| "    | NLA                     |                           | Not Available | CABINET, UPPER (WHITE)         |
| 004  | 314663                  | <a href="#">214354</a>    |               | Screw, Top Cover To Cabnt.     |
| "    | Y303361                 |                           | Not Available | BASE ASSY. (UPPER & LOWER)     |
| 005  | 211168                  | <a href="#">W10139210</a> |               | Screw, 8-18 X 5/16             |
| "    | 910768                  | <a href="#">M0280301</a>  |               | Tie Electr                     |
| 006  | NLA                     |                           | Not Available | SPACER ASSY, WHITE             |
| 007  | 307125                  |                           | Not Available | CABINET, LOWER (WHITE)         |
| "    | NLA                     |                           | Not Available | (ALMOND)                       |
| 008  | Y302699                 | <a href="#">22003428</a>  |               | Leg, Adjustable                |

|     |                         |                          |                             |
|-----|-------------------------|--------------------------|-----------------------------|
| 009 | <a href="#">210684</a>  |                          | Foot, Adjustable Leg        |
| 010 | <a href="#">210385</a>  |                          | Lock Nut For Adjustable Leg |
| 011 | NLA                     | Not Available            | ACCESS DOOR (WHITE)         |
| 012 | <a href="#">204439</a>  |                          | Screw And Fstner Assembly   |
| "   | <a href="#">307998L</a> |                          | Front Panel----NA           |
| "   | NLA                     | Not Available            | FRONT PANEL-WHITE           |
| 013 | 310933                  | <a href="#">33002194</a> | Nut, Speed                  |
| 014 | 308069                  | Not Available            | DOOR, INNER W/GASKET        |
| 015 | <a href="#">314939</a>  |                          | Handle, Door                |
| "   | <a href="#">314974</a>  |                          | Handle, Door                |
| 016 | NLA                     | Not Available            | DOOR ASSY. COMPLETE (WHITE) |
| 017 | NLA                     | Not Available            | NAME PLATE                  |
| 018 | NLA                     | Not Available            | SPANISH LABEL KIT           |

