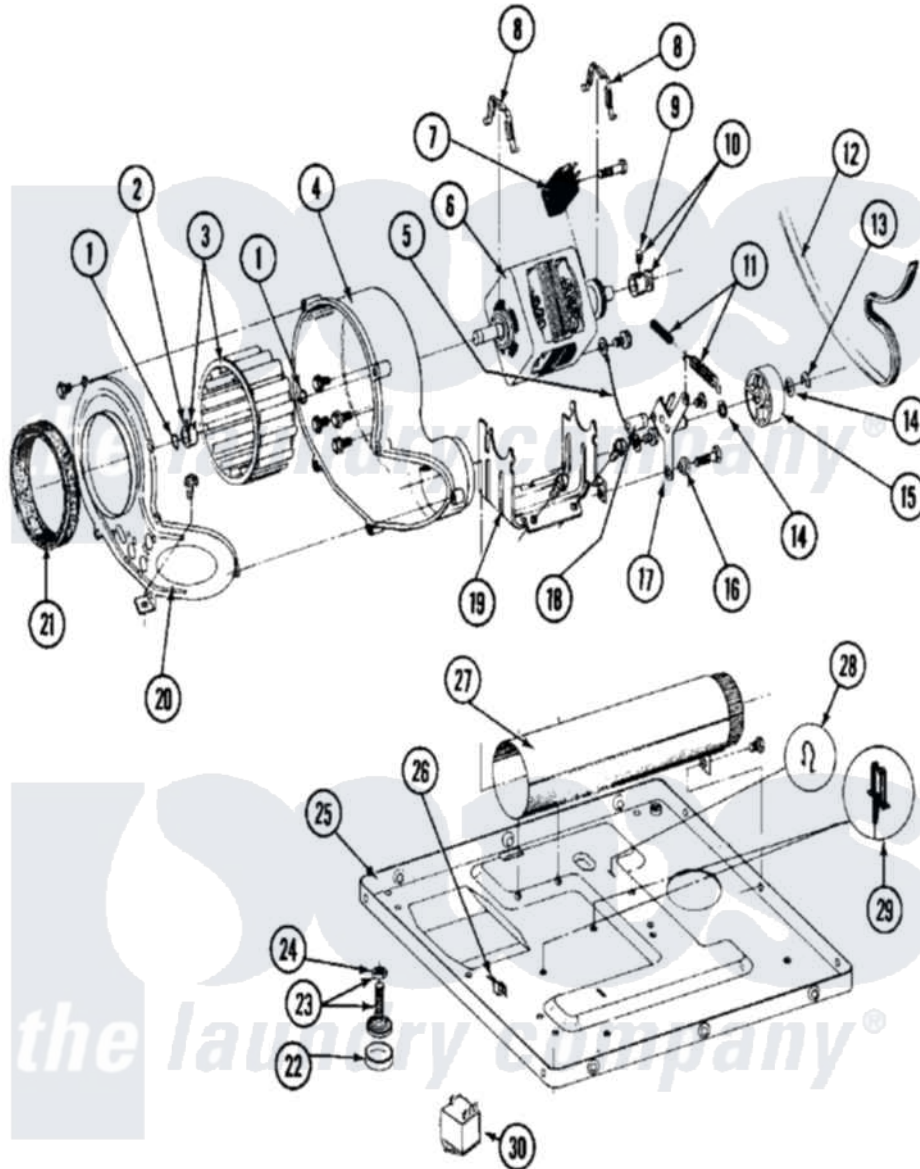


Maytag MDG27CSABL 09 - MOTOR, BLOWER & BASE FRAME



Maytag Commercial Maytag MDG27CSABL Dryer Parts Parts Diagram 09 - MOTOR, BLOWER & BASE FRAME
 Click on the part number to view part

| Item | Original Part Number | Replaced By | Status | Part Description |
|------|-------------------------|---------------------------|---------------|---|
| 001 | 410233 | 9703438 | | Ring-Retrn |
| 002 | 312967 | | | Clamp, Blower Housing |
| 003 | Y303836 | | | Blower Wheel Assembly And Clamp |
| 004 | Y312893 | | | Housing, Blower |
| 005 | 901220 | | | Ground Wire |
| " | 910343 | 488234 | | Screw 8-32 X 1/4 |
| 006 | Y303358 | W10410999 | | Motor-Drve |
| 007 | 306207 | | Not Available | (PROD. No.303358-8 & No.303358-9) |
| " | NLA | | Not Available | SWITCH, MOTOR START-PROD. |
| " | Y303877 | | Not Available | SWITCH, MOTOR EXTERNAL START No.303358-2, No.303358-4, 303358-7 |
| " | Y303879 | | | Switch, Motor External Start |
| 008 | Y015825 | | | Clip, Motor To Motor Support |
| 009 | Y053241 | | | Set Screw, Motor Pulley |

| | | | |
|-----|-------------------------|---------------------------|-------------------------------|
| 010 | Y305185 | 6-3051850 | Pulley- MO |
| 011 | Y303945 | | IDLER SPRING ASSY. W/PLUG |
| 012 | Y312959 | | Poly "V" Belt For Tumbler |
| 013 | 312958 | 354987 | Ring, Retaining |
| 014 | Y312527 | | Washer, Idler Shaft |
| 015 | Y303705 | 6-3037050 | Pulley- ID |
| 016 | Y312894 | 315772 | Sleeve, Idler Arm |
| 017 | Y014874 | | Screw, Idler Arm And Sleeve |
| " | Y303363 | 6-3033630 | Idler Arm |
| " | Y312961 | W10116751 | Screw |
| 018 | Y313582 | W10116756 | Spacer |
| 019 | Y313561 | | Screw----NA |
| " | NLA | | Not Available |
| 020 | Y313561 | | MOTOR SUPPORT |
| " | 314847 | | Screw----NA |
| 021 | Y312901 | | COVER, BLOWER HOUSING |
| 022 | 210684 | | Seal, Housing Cover |
| 023 | Y302699 | 22003428 | Foot, Adjustable Leg |
| 024 | 210385 | | Leg, Adjustable |
| 025 | Y303361 | | Lock Nut For Adjustable Leg |
| 026 | | | Not Available |
| 027 | Y310376 | | BASE ASSY. (UPPER & LOWER) |
| 028 | Y310342 | | Clip, Door Switch Harness |
| 029 | 410490 | | EXHAUST DUCT ASSEMBLY |
| 030 | Y313262 | W10116752 | Spring, Retainer Wire Harness |
| | 307928 | 12001933 | Retainer- |
| | | | Transformer |

the laundry company[®]

the laundry company[®]