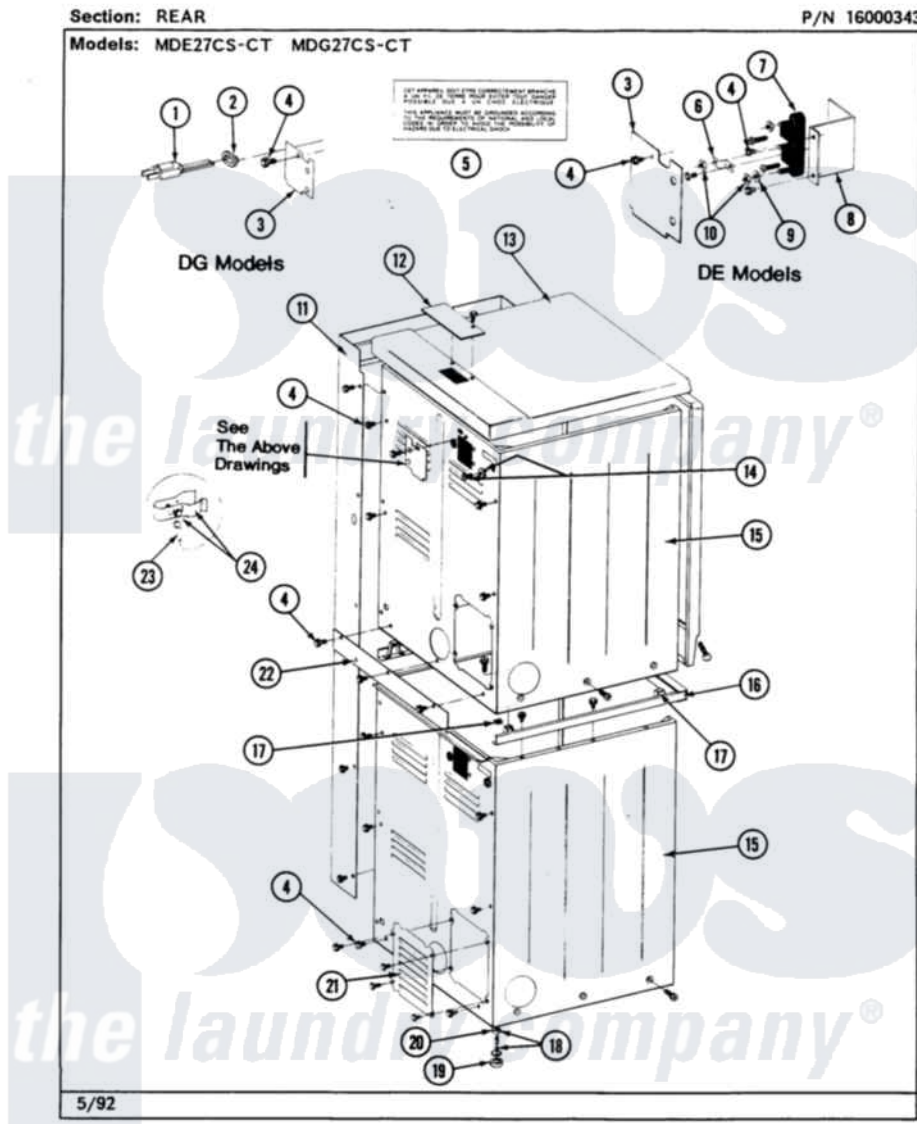


# Maytag MDG27CSABW 02 - REAR



Maytag [Commercial Maytag MDG27CSABW Dryer Parts](#) Parts Diagram 02 - REAR

[Click on the part number to view part](#)

| Item | Original Part Number    | Replaced By               | Status        | Part Description                                       |
|------|-------------------------|---------------------------|---------------|--|
| 001  | 302521                  |                           | Not Available | CORD, POWER PART NOT USED-GAS MODELS ONLY              |
| 002  | <a href="#">211881</a>  |                           |               | Grommet, Cord Part Not Used-Gas Models Only            |
| 003  | Y312905                 |                           | Not Available | COVER, TERMINAL  |
| 004  | <a href="#">Y313561</a> |                           |               | Screw----NA  |
| 005  | <a href="#">214519</a>  |                           |               | LABEL, ELECTRICAL INSTR. PART NOT USED-GAS MODELS ONLY |
| 006  | Y311423                 | <a href="#">489483</a>    |               | Screw 10-32 X 1/2                                      |
| "    | <a href="#">Y312184</a> |                           |               | Strap, Grounding                                       |
| 007  | <a href="#">400008</a>  |                           |               | Block, Terminal  |
| "    | <a href="#">Y312209</a> | <a href="#">W10001200</a> |               | Screw  |
| 008  | <a href="#">Y312904</a> |                           |               | Bracket, Terminal Block                                |
| 009  | <a href="#">Y311270</a> |                           |               | Washer, Terminal Block                                 |
| 010  | <a href="#">311484</a>  | <a href="#">112432</a>    |               | Nut  |
| 011  | NLA                     |                           | Not Available | SCREW  |
| 012  | NLA                     |                           | Not Available | TOP COVER PLATE  |

|     |                         |                          |   |
|-----|-------------------------|--------------------------|---|
| "   | <a href="#">Y313559</a> |                          | Screw                                   |
| 013 | <a href="#">307104</a>  |                          | Top Cover Assembly                      |
| "   | NLA                     | Not Available            | (ALMOND)                                |
| 014 | NLA                     | Not Available            | SCREW & WASHER ASSY.                    |
| 015 | <a href="#">213007</a>  |                          | Xfor Cabinet See Cabinet, Back          |
| "   | 307125                  | Not Available            | CABINET, LOWER (WHITE)                  |
| "   | NLA                     | Not Available            | (ALMOND)                                |
| "   | Y310632                 | <a href="#">1163839</a>  | Screw                                   |
| 016 | 911050                  | <a href="#">4312464</a>  | Screw                                   |
| "   | NLA                     | Not Available            | SPACER ASSY, WHITE                      |
| "   | Y310632                 | <a href="#">1163839</a>  | Screw                                   |
| 017 | 310933                  | <a href="#">33002194</a> | Nut, Speed                              |
| 018 | Y302699                 | <a href="#">22003428</a> | Leg, Adjustable                         |
| 019 | <a href="#">210684</a>  |                          | Foot, Adjustable Leg                    |
| 020 | <a href="#">210385</a>  |                          | Lock Nut For Adjustable Leg             |
| 021 | <a href="#">211294</a>  | <a href="#">90767</a>    | Screw, 8A X 3/8 HeX Washer Head Tapping |
| "   | Y312951                 | Not Available            | ACCESS COVER, BACK                      |
| "   | <a href="#">Y313559</a> |                          | Screw                                   |
| 022 | NLA                     | Not Available            | FILLER STRIP                            |
| "   | Y310632                 | <a href="#">1163839</a>  | Screw                                   |
| 023 | <a href="#">311155</a>  |                          | Ground Wire And Clamp                   |
| 024 | <a href="#">301548</a>  |                          | Clamp, Ground Wire                      |
| "   | <a href="#">313122</a>  |                          | Screw - Baffle To Tumbler               |

