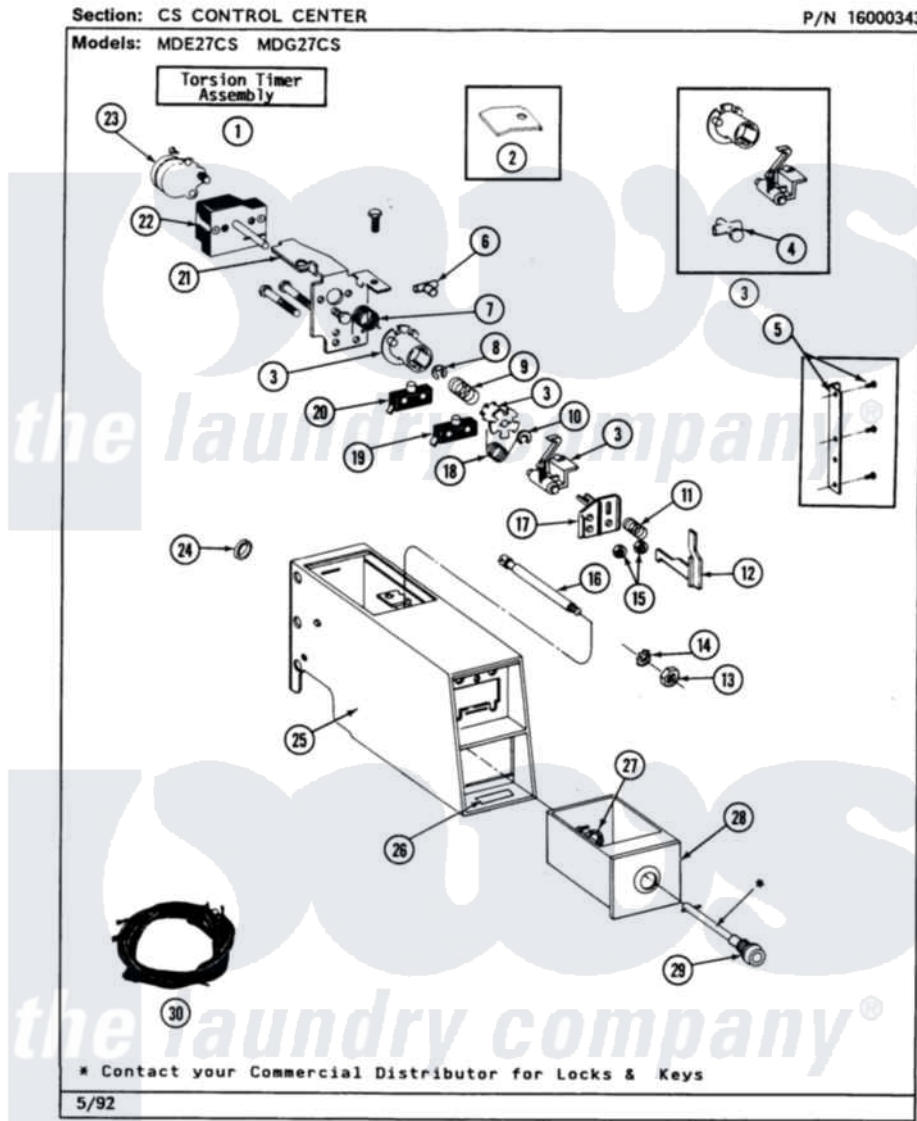


# Maytag MDG27CSABW 04 - CONTROL CENTER



16

Maytag [Commercial Maytag MDG27CSABW Dryer Parts](#) Parts Diagram 04 - CONTROL CENTER  
 Click on the part number to view part

Item	Original Part Number	Replaced By	Status	Part Description
001	<a href="#">305797</a>			Torsion Timer Assembly Complete
002	NLA		Not Available	STOP FOR TIMER MECHANISM
003	<a href="#">306104</a>			Actuator Switch Kit
004	314547	<a href="#">Y308109</a>		Slide And Adj. Return Bracket
005	NLA		Not Available	COIN METER STOP
"	<a href="#">Y014872</a>			Screw, Coin Meter Stop -
006	<a href="#">314335</a>			Peg, Tine Adjustment
007	<a href="#">314331</a>			Spring, Torsion Return
008	<a href="#">Y312270</a>			Clip, Spring Retainer
009	<a href="#">211065</a>			Spring, Index Wheel
010	<a href="#">211790</a>			Lock Ring For Timer Shaft
011	NLA		Not Available	HELICAL SPRING ---N
012	314337	<a href="#">33002968</a>		Slider
013	<a href="#">Y052721</a>			Nut, Terminal Block Plate
014	<a href="#">910387</a>			Lockwasher, Vault Assembly

015	Y052634	<a href="#">701719</a>	Nut, Hex
016	<a href="#">215559</a>		Bolt, Coin Slide Locking
"	NLA	Not Available	LOCKING BOLT
017	<a href="#">314339</a>		Switch And Slider Bracket
018	<a href="#">314332</a>		Spring, Actuator
019	305798	Not Available	BYPASS SWITCH FOR MOTOR
020	<a href="#">Y305799</a>		Bypass Switch For Heater
021	<a href="#">314333</a>		Timer Mounting Bracket
"	<a href="#">315277</a>		Screw
"	910708	<a href="#">488234</a>	Screw 8-32 X 1/4
"	NLA	Not Available	INSTRUCTION LABEL
022	<a href="#">305796</a>		Timer
"	<a href="#">305800</a>		Wire Harness For Timer
023	<a href="#">305870</a>		Timer Motor
024	Y313671	<a href="#">33001303</a>	Grommet, Plate Hole
025	<a href="#">Y307081</a>		Coin Meter Weld Assembly
"	NLA	Not Available	(ALMOND)
026	Y313439	Not Available	INSTRUCTION LABEL
027	212328	<a href="#">W10139762</a>	Hex Nut, 3/4-27
028	205423	<a href="#">208883</a>	Coin Box K
"	205423L	<a href="#">208883</a>	Coin Box K
029	NLA	Not Available	SPRING WASHER, LOCK
030	NLA	Not Available	WIRE HARNESS-UPPER

