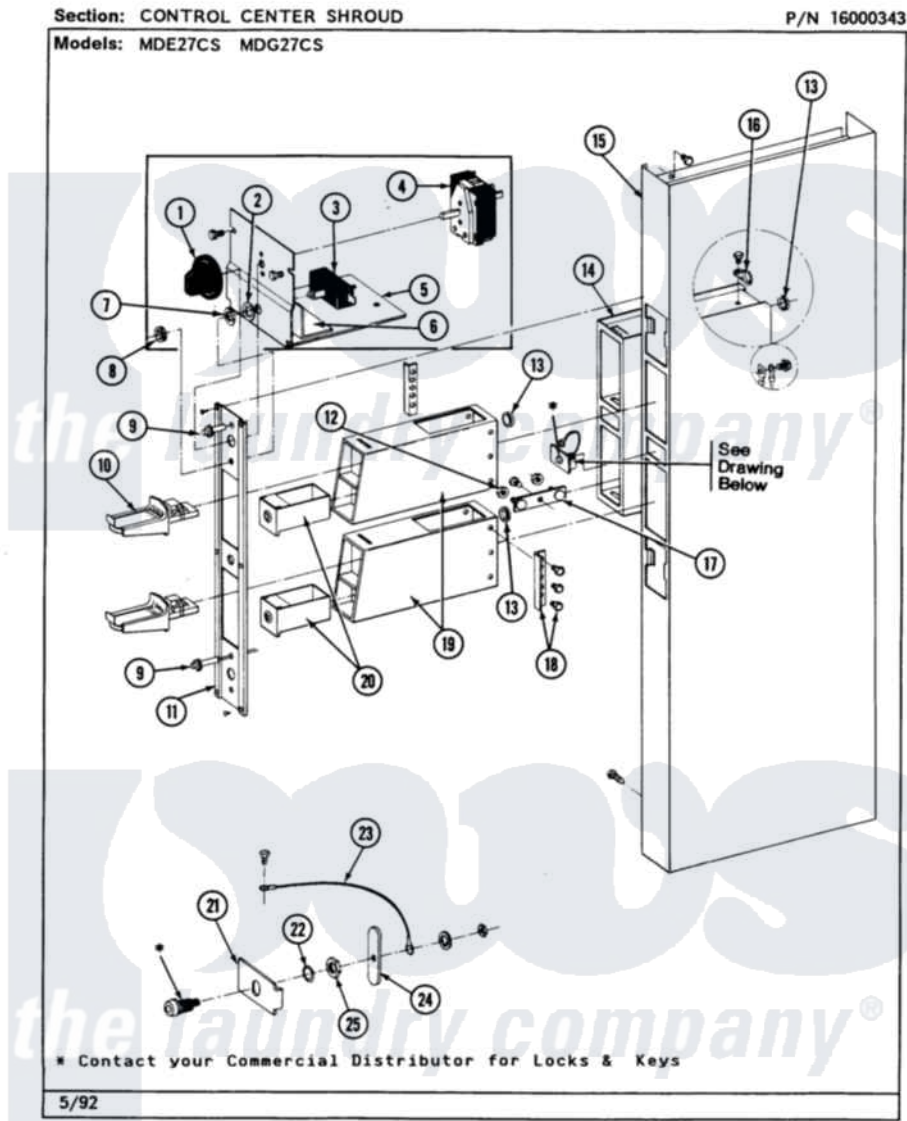


Maytag MDG27CSAGL 03 - CONTROL CENTER SHROUD



14

Maytag Commercial Maytag MDG27CSAGL Dryer Parts Parts Diagram 03 - CONTROL CENTER SHROUD
 Click on the part number to view part

Item	Original Part Number	Replaced By	Status	Part Description
001	205663			Knob For Selector Switch
002	312751			Lockwasher, Start Switch
003	306940	W10149462		Switch, Push-To-Start
004	307253			Switch, Cycle Selector
"	Y313588	488234		Screw 8-32 X 1/4
005	212276	W10116760		Screw
"	Y314261			Switch And Relay Bracket
006	NLA		Not Available	INSULATOR
007	Y312706	422617		Nut
008	Y312702			Knurled Nut, Start Switch
009	NLA		Not Available	INDICATOR LIGHT 240-50
010	NLA		Not Available	MAYTAG COIN SLIDE (ACCY)
011	315037		Not Available	PANEL, VAULT
"	Y313424			Screw, Vault Panel
012	Y052740	62739		Nut, Lock
013	Y313671	33001303		Grommet, Plate Hole

014	211294	90767	Screw, 8A X 3/8 HeX Washer Head Tapping
"	305534	Not Available	VAULT ASSEMBLY
"	Y310632	1163839	Screw
"	Y313559		Screw
015	213648	98165	Screw
"	NLA	Not Available	CONTROL SHROUD (WHT)
016	211168	W10139210	Screw, 8-18 X 5/16
"	910768	M0280301	Tie Electr
017	212276	W10116760	Screw
"	NLA	Not Available	MTG. STRAP----NA
018	NLA	Not Available	COIN METER STOP
"	Y014872		Screw, Coin Meter Stop -
019	Y307081		Coin Meter Weld Assembly
"	NLA	Not Available	(ALM)
020	205423	208883	Coin Box K
"	205423L	208883	Coin Box K
021	313428	Not Available	PLATE FOR LATCH
022	NLA	Not Available	SPRING WASHER
023	211168	W10139210	Screw, 8-18 X 5/16
"	Y303981		Ground Wire For Latch
024	Y313427	206637	Lock Kit
025	212328	W10139762	Hex Nut, 3/4-27

