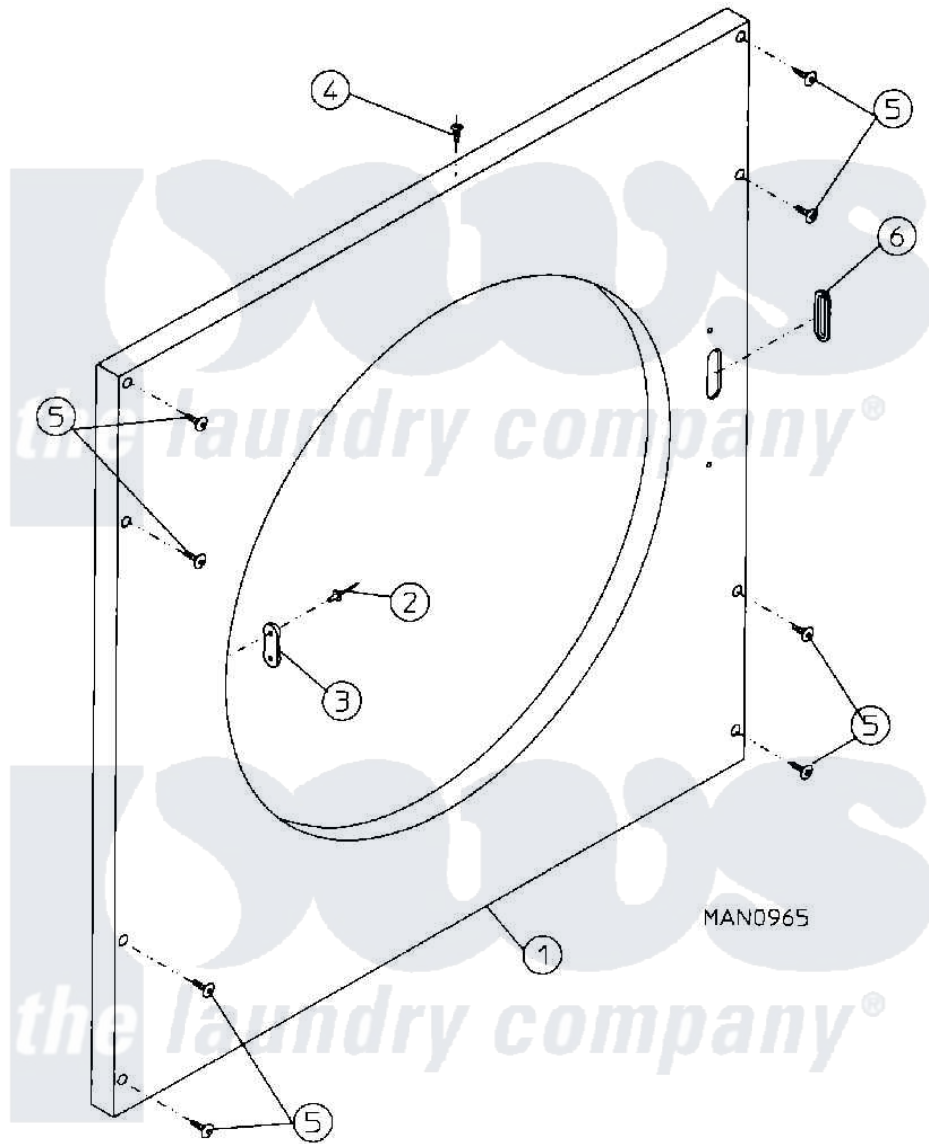


Maytag MDG30MC2AW 05 - CABINET - FRONT PANEL ASSEMBLY (MC2)



Maytag [Commercial Maytag MDG30MC2AW Dryer Parts](#) Parts Diagram 05 - CABINET - FRONT PANEL ASSEMBLY (MC2)

[Click on the part number to view part](#)

Item	Original Part Number	Replaced By	Status	Part Description
000	W10124350		Not Available	ORDER PARTS FROM AMERICAN DRYER CORP AT 508-678-9000
001	A154215	154215		5 32 X 1 4
002	A875300	W10147918		15-30- Ins
003	A170330		Not Available	LATCH, DOOR (FRICTION)
004	A150300	5307527001		Switch
005	A150415		Not Available	SCREW, CRIMPTITE (PH. RD.HD.) (No.10-16 X 1/2" PH. RD. HD.)
006	A121405	121405		Rubber Gro