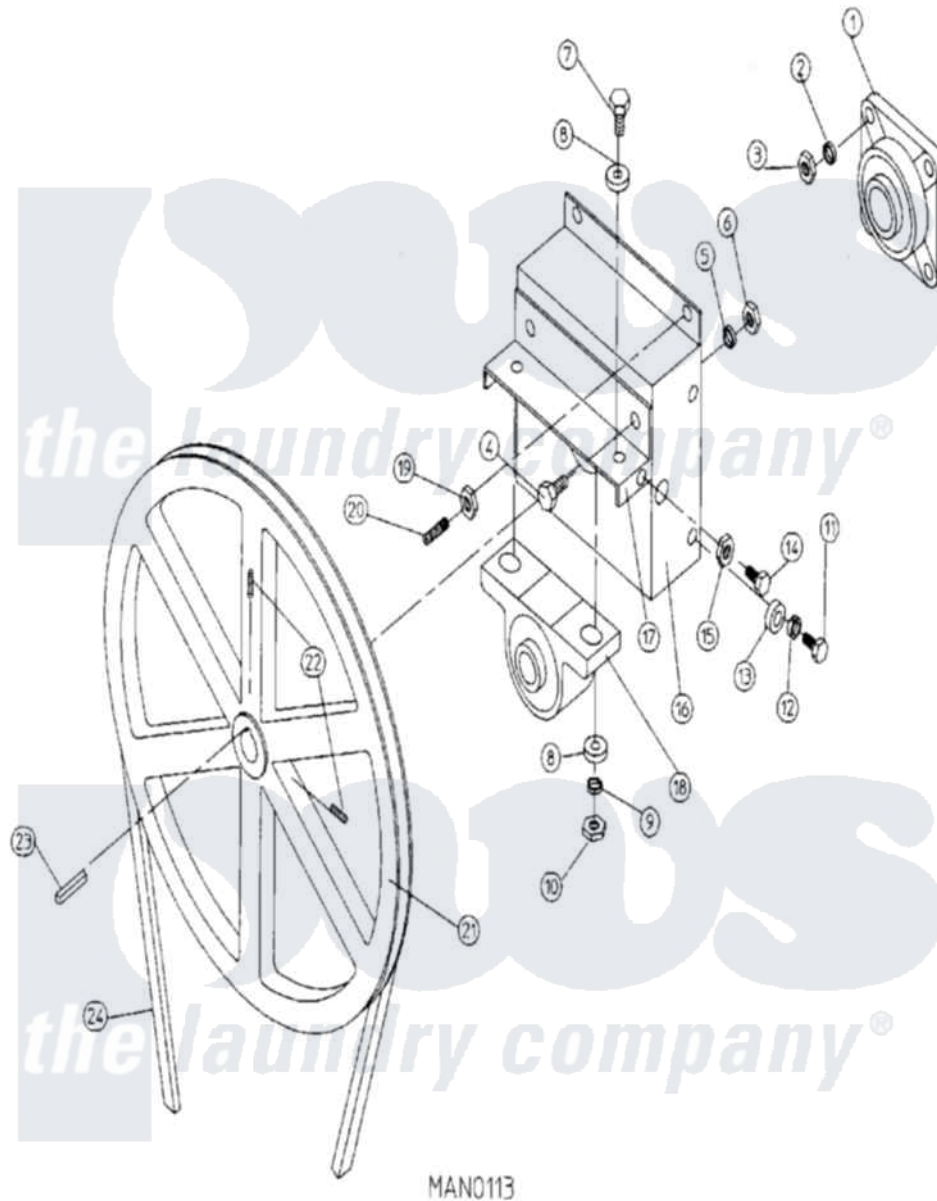


Maytag MDG30PC2AL 06 - TUMBLER BEARING ASSEMBLY



MAN0113

Maytag [Commercial Maytag MDG30PC2AL Dryer Parts](#) Parts Diagram 06 - TUMBLER BEARING ASSEMBLY
 Click on the part number to view part

Item	Original Part Number	Replaced By	Status	Part Description
000	W10124350		Not Available	ORDER PARTS FROM AMERICAN DRYER CORP AT 508-678-9000
001	A100203		Not Available	BEARING, FLANGE (1 3/8")
002	A153005	153005		3 8 Split
003	A152005	152005		3 8-16 Hex
004	A150508	150508		3 8-16 X 3
005	A153005	153005		3 8 Split
006	A152005	152005		3 8-16 Hex
007	A150600	150600		3 8-16 X 1
008	A153004	153004		3 8 X 1
009	A153005	153005		3 8 Split
010	A152005	152005		3 8-16 Hex
011	A150501	150501		5 16-18 X
012	A153002	8182939		Washer, Lock
013	A153001	153001		5 16 Flat
014	A150621	150621		5 16-18 X

015	A152004	8182933		Nut, Hex
016	A801101	W10147075		1-3 8 Bea
"	A801103	801103		Bearing BO
"	A801105	W10147077		1 Pc. 1 3
017	A801104	801104		Pillow Blo
018	A100202		Not Available	BEARING, PILLOW BLOCK (1 3/8")
019	A152004	8182933		Nut, Hex
020	A150610	150610		5 16-18 X
021	A101100		Not Available	PULLEY, 18" (NON-REVERSING)
022	A154301	154301		5 16-18 X
023	A100713	100713		1 4 X 1 4
024	A100108	W10146555		51680 Belt

the laundry company[®]

the laundry company[®]

the laundry company[®]