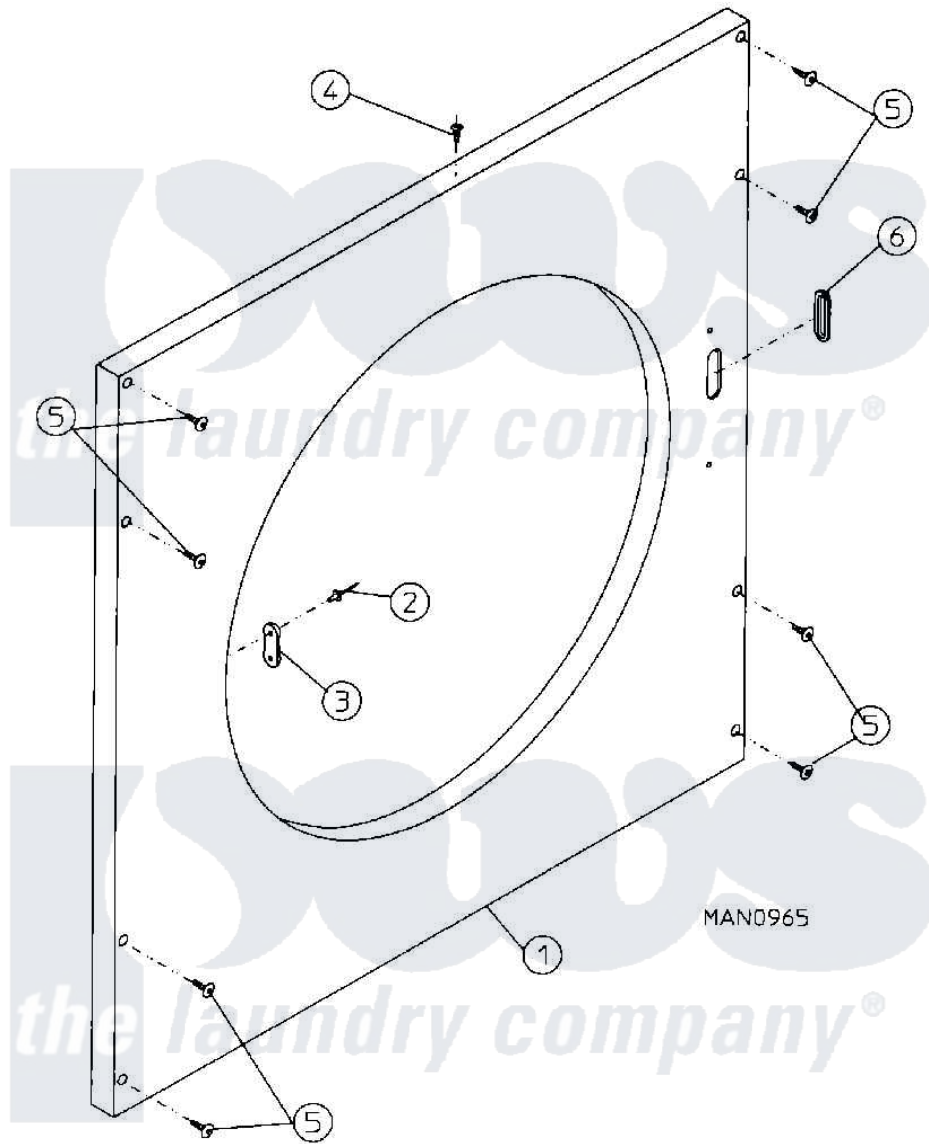


Maytag MDG30PC2AQ 08 - CABINET - FRONT PANEL ASSEMBLY (PC2)



Maytag Commercial Maytag MDG30PC2AQ Dryer Parts Parts Diagram 08 - CABINET - FRONT PANEL ASSEMBLY (PC2)

Click on the part number to view part

Item	Original Part Number	Replaced By	Status	Part Description
000	W10124350		Not Available	ORDER PARTS FROM AMERICAN DRYER CORP AT 508-678-9000
001	A154215	<a href="#">154215</a>		5 32 X 1 4
002	A875300	<a href="#">W10147918</a>		15-30- Ins
003	A170330		Not Available	LATCH, DOOR (FRICTION)
004	A150300	<a href="#">5307527001</a>		Switch
005	A150313	<a href="#">150313</a>		10-16 X 1
"	A150415		Not Available	SCREW, CRIMPTITE (PH. RD.HD.) (No.10-16 X 1/2" PH. RD. HD.)
006	A121405	<a href="#">121405</a>		Rubber Gro