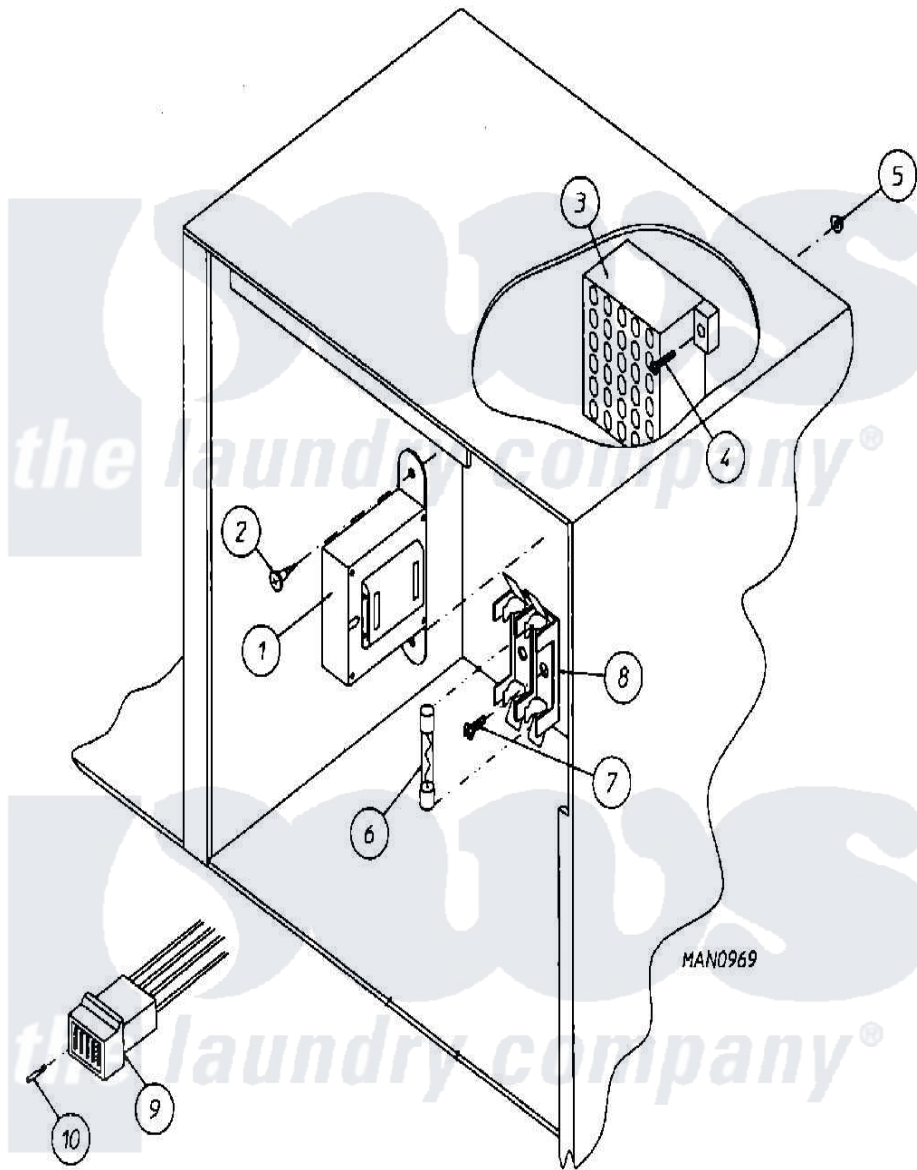


# Maytag MDG30PC3AL 02 - CONTROL BOX ASSEMBLY



Maytag Commercial Maytag MDG30PC3AL Dryer Parts Parts Diagram 02 - CONTROL BOX ASSEMBLY  
 Click on the part number to view part

| Item | Original Part Number | Replaced By                | Status        | Part Description                                     |
|------|----------------------|----------------------------|---------------|--|
| 000  | W10124350            |                            | Not Available | ORDER PARTS FROM AMERICAN DRYER CORP AT 508-678-9000 |
| 001  | A141403              |                            | Not Available | TRANSFORMER (24 VAC) (FOR MICROPROCESSOR MODELS)     |
| 002  | A150300              | <a href="#">5307527001</a> |               | Switch   |
| 003  | A120715              | <a href="#">W10146700</a>  |               | 30 Pos Ter   |
| 004  | A150002              | <a href="#">150002</a>     |               | 6-32 X 1   |
| 005  | A151000              | <a href="#">WH12X195</a>   |               | Switch Assembly                                      |
| 006  | A136057              | <a href="#">W10146739</a>  |               | 0.5 A 250  |
| 007  | A150301              | <a href="#">150301</a>     |               | 8-18 X 7   |
| 008  | A136008              | <a href="#">136008</a>     |               | Fuse Block   |
| 009  | A122641              | <a href="#">122641</a>     |               | 15 Pos. MI   |
| 010  | A122706              | <a href="#">122706</a>     |               | 20-16 AWG  |