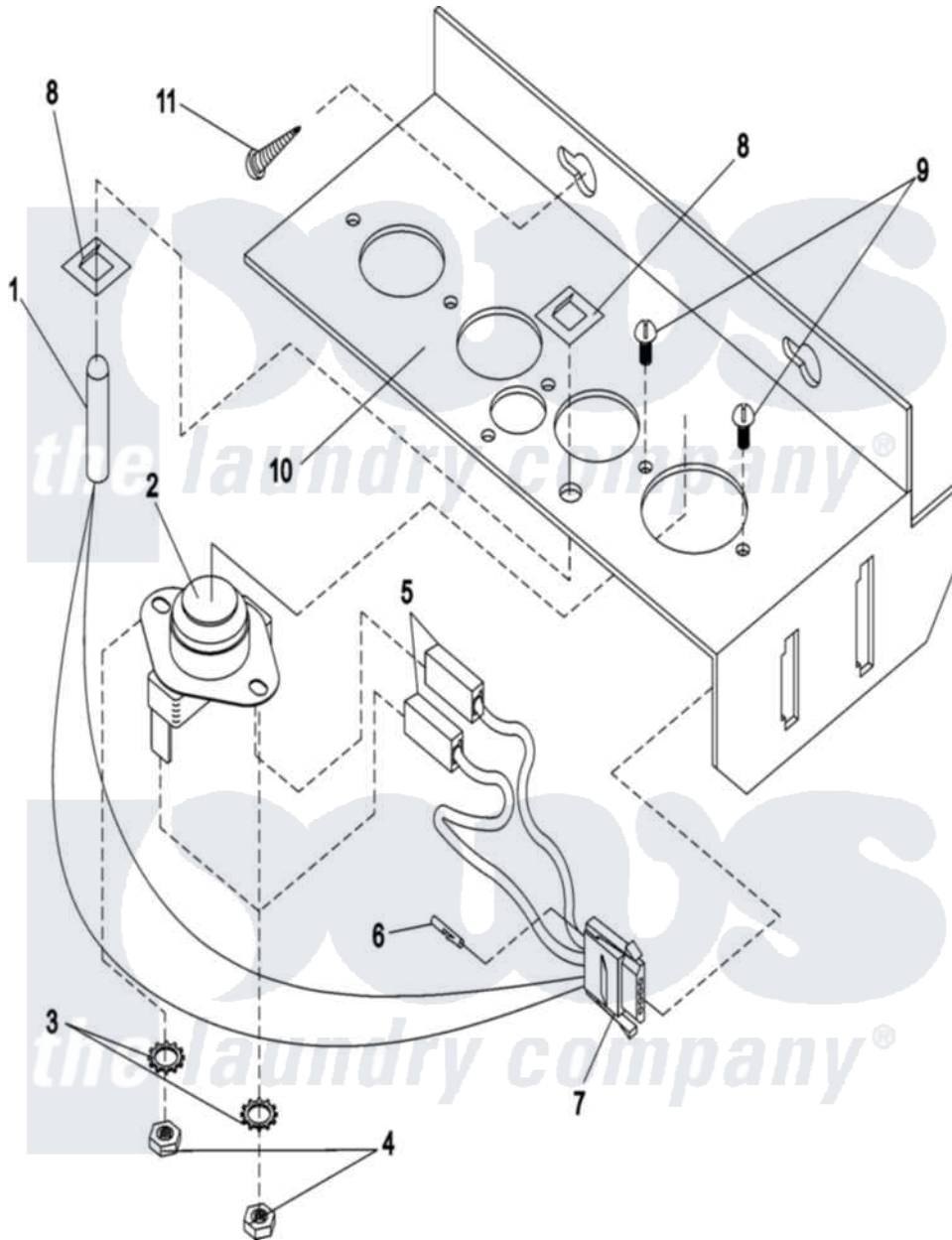


Maytag MDG30PCCWQ 12 - SENSOR BRACKET



Maytag Commercial Maytag MDG30PCCWQ Dryer Parts Parts Diagram 12 - SENSOR BRACKET
 Click on the part number to view part

Item	Original Part Number	Replaced By	Status	Part Description
001	A880251	W10147995		1 4 Tem
002	A130103	W10146725		L225 Tod3
003	A153010	153010		6 Internal
004	A153000	153000		8 SAE WAS
005	A121028	121028		1 4 X.032
006	A122701	122701		MNL Socket
007	A122605	122605		4 Pin Cmnl
008	A154007	8182949		Fastener, Push-On
009	A150005	150005		6-32 X 1 4
010	A305007	W10146789		Universal
"	A801425	801425		AD15-81 ML
011	A150301	150301		8-18 X 7