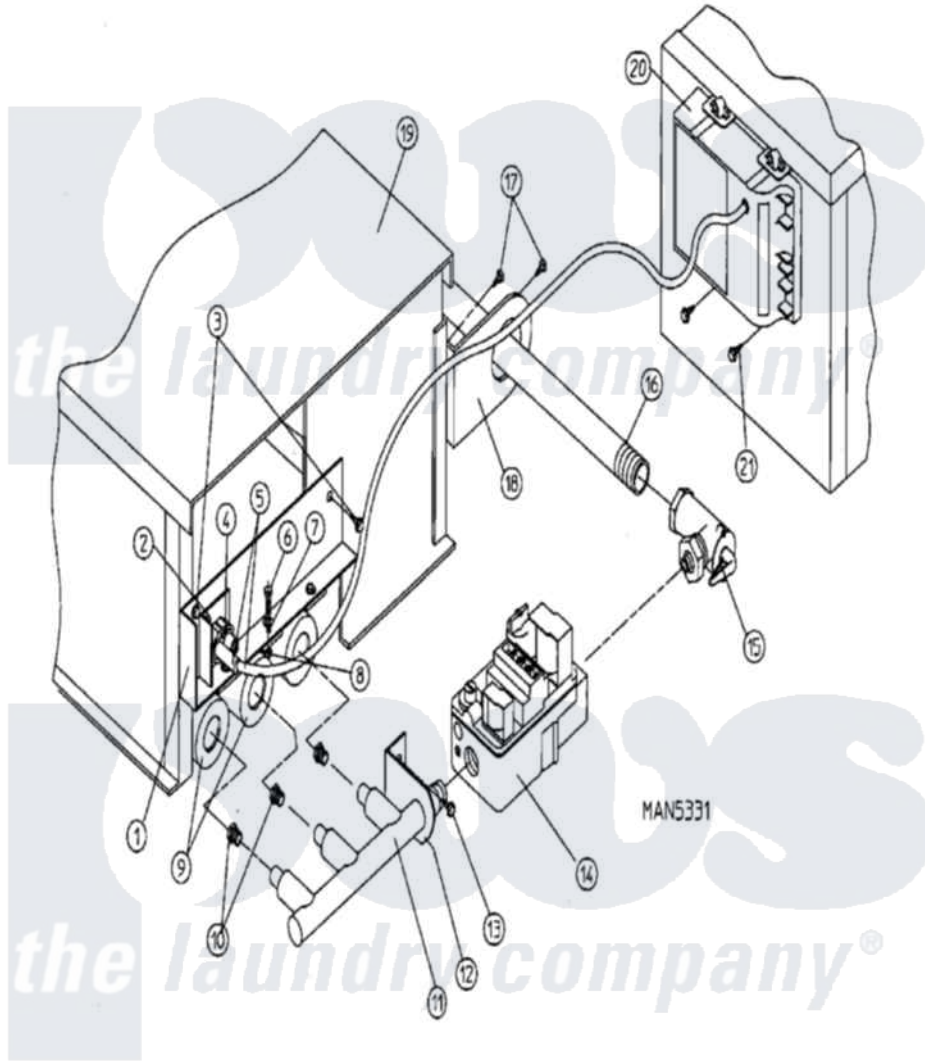


# Maytag MDG30PN3AL 16 - DSI & BURNER ASSEMBLY



Maytag Commercial Maytag MDG30PN3AL Dryer Parts Parts Diagram 16 - DSI & BURNER ASSEMBLY  
 Click on the part number to view part

Item	Original Part Number	Replaced By	Status	Part Description
000	W10124350		Not Available	ORDER PARTS FROM AMERICAN DRYER CORP AT 508-678-9000
001	A318030	<a href="#">W10146864</a>		50 60 Si
002	A150300	<a href="#">5307527001</a>		Switch
003	A150309	<a href="#">W10146761</a>		10-16 X 1
004	A880134		Not Available	IGNITER/FLAME PROBE KIT ASSY (INCLUDES No.4 & 5)
005	A880330	<a href="#">W10148002</a>		DSI Ignitor
006	A150103	<a href="#">150103</a>		8-32 X 3 4
007	A153000	<a href="#">153000</a>		8 SAE WAS
008	A151001	<a href="#">W10146764</a>		8-32 Pal N
009	A141105	<a href="#">W10146749</a>		Large Gas
010	A140808	<a href="#">140808</a>		Burner Ori
"	A140823	<a href="#">140823</a>		Burner Ori
011	A141232	<a href="#">141232</a>		DSI 1 2 Ma
012	A318700	<a href="#">W10146865</a>		SM Burner

013	A150300	<a href="#">5307527001</a>		Switch
014	A128927		Not Available	VALVE, GAS (REDUNDANT) (1/2" 24 VAC, NATURAL GAS)
"	A140411		Not Available	CONVERSION KIT (1/2" 24 VAC GAS VALVE (L.P.) W/O ORIFICES
015	A881367	<a href="#">W10148314</a>		1 2 Un
016	A142500	<a href="#">142500</a>		1 2-90 DEG
"	A142600	<a href="#">142600</a>		1 2 Black
"	A142707	<a href="#">142707</a>		1 2 X 1 1
"	<a href="#">A142800</a>			Pipe, 1/2 " X 18" B.I.
"	A142809	<a href="#">W10146757</a>		1 2 X 29 1
017	A150309	<a href="#">W10146761</a>		10-16 X 1
018	A318700	<a href="#">W10146865</a>		SM Burner
019	A809627	<a href="#">809627</a>		Ad30s Ud50
"	A809628	<a href="#">5300809628</a>		Hose
"	A850852	<a href="#">W10147725</a>		60 DSI Bur
020	<a href="#">A880815</a>			MODULE, DSI (50HZ/60HZ)
021	A150299	<a href="#">150299</a>		10 X 1 H
022	A140411		Not Available	CONVERSION KIT (1/2" 24 VAC GAS VALVE (L.P.) W/O ORIFICES
023	A410001	<a href="#">410001</a>		1 2 Hex L
028	W10124350		Not Available	NOTE: CONSULT FACTORY FOR ELEVATIONS OVER 2000 FT.

