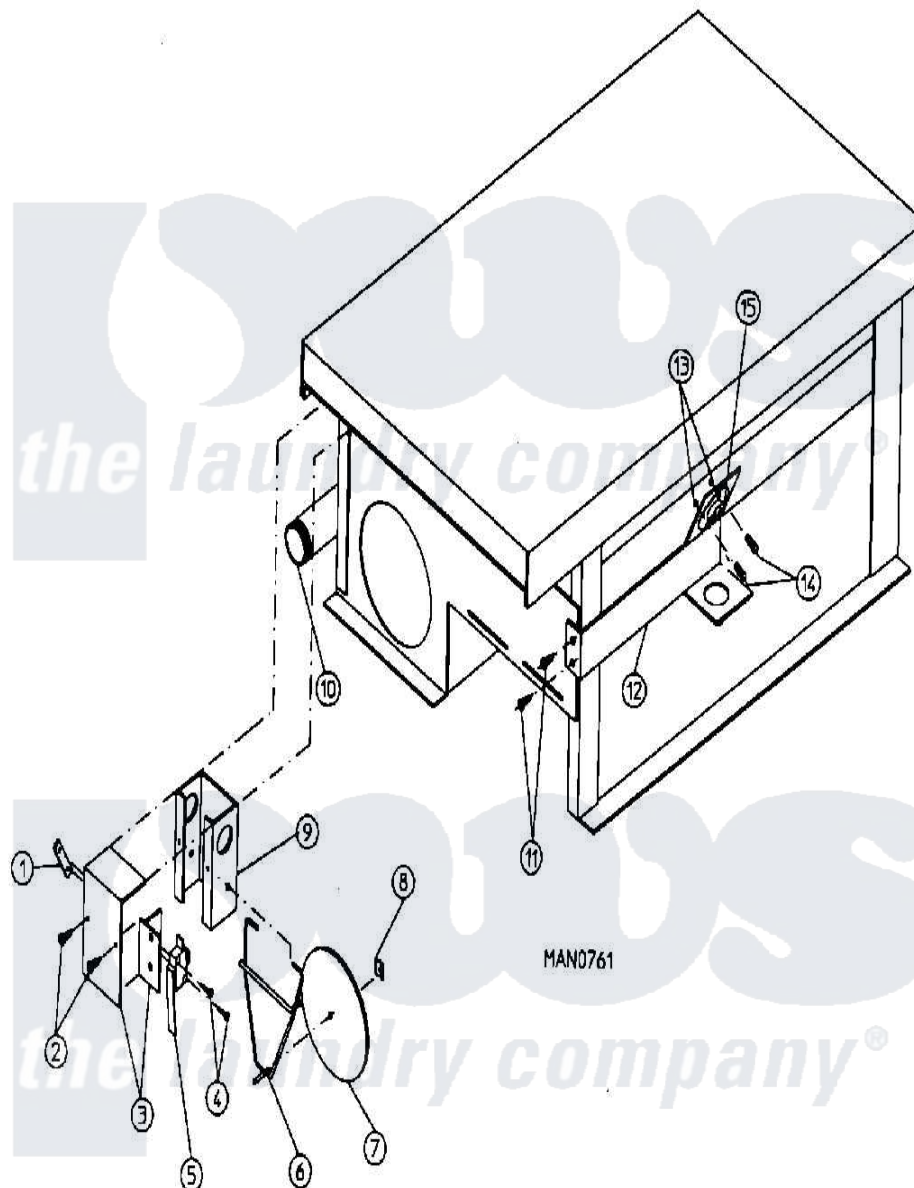


# Maytag MDG30PN3AL 17 - SAIL SWITCH/HI-LIMIT ASSEMBLY



Maytag Commercial Maytag MDG30PN3AL Dryer Parts Parts Diagram 17 - SAIL SWITCH/HI-LIMIT ASSEMBLY  
 Click on the part number to view part

| Item | Original Part Number | Replaced By               | Status        | Part Description                                     |
|------|----------------------|---------------------------|---------------|--|
| 000  | W10124350            |                           | Not Available | ORDER PARTS FROM AMERICAN DRYER CORP AT 508-678-9000 |
| 001  | A154004              | <a href="#">154004</a>    |               | Tinnerman  |
| 002  | A150309              | <a href="#">W10146761</a> |               | 10-16 X 1  |
| 003  | A802799              | <a href="#">802799</a>    |               | Sail Sw.bo   |
| 004  | A150303              | <a href="#">150303</a>    |               | 4 X 3 4 P  |
| 005  | A122200              | <a href="#">122200</a>    |               | Sail Switch  |
| 006  | A105500              | <a href="#">W10146641</a> |               | Std Sail S   |
| 007  | A319202              | <a href="#">W10146866</a> |               | Sail Switch  |
| 008  | A154002              | <a href="#">154002</a>    |               | 1 8 Push O   |
| 009  | A802800              | <a href="#">802800</a>    |               | Sail Switch  |
| "    | A802801              | <a href="#">802801</a>    |               | Sail Switch  |
| 010  | A142809              | <a href="#">W10146757</a> |               | 1 2 X 29 1   |
| 011  | A150309              | <a href="#">W10146761</a> |               | 10-16 X 1  |
| 012  | A319704              | <a href="#">WB4X122</a>   |               | Medallion  |
| 013  | A151000              | <a href="#">WH12X195</a>  |               | Switch Assembly                                      |

|     |         |                           |                                   |
|-----|---------|---------------------------|-----------------------------------|
| 014 | A151001 | <a href="#">W10146764</a> | 8-32 Pal N                        |
| 015 | A130201 |                           | Not Available HI-LIMIT (330 DEG.) |
| 016 | A143000 | <a href="#">143000</a>    | 1 2 X 3 4                         |

