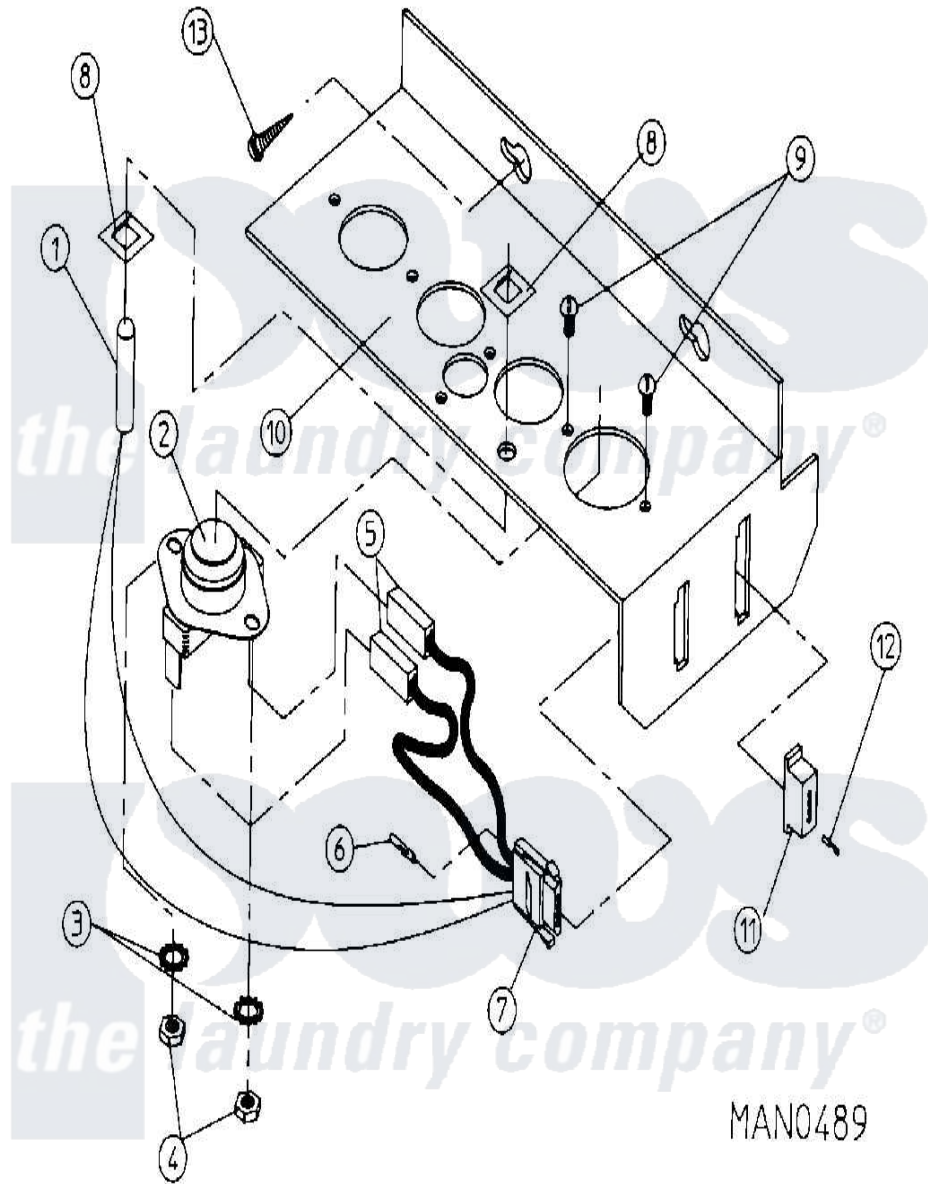


# Maytag MDG30PN3AW 13 - SENSOR BRACKET ASSEMBLY



MAN0489

Maytag Commercial Maytag MDG30PN3AW Dryer Parts Parts Diagram 13 - SENSOR BRACKET ASSEMBLY  
 Click on the part number to view part

Item	Original Part Number	Replaced By	Status	Part Description
000	W10124350		Not Available	ORDER PARTS FROM AMERICAN DRYER CORP AT 508-678-9000
001	A880251	<a href="#">W10147995</a>		1 4 Tem
002	A130301	<a href="#">W10146732</a>		L225 Tod3
003	A153010	<a href="#">153010</a>		6 Internal
004	A152000	<a href="#">152000</a>		6-32 HEX N
005	A121028	<a href="#">121028</a>		1 4 X.032
006	A122701	<a href="#">122701</a>		MNL Socket
007	A122605	<a href="#">122605</a>		4 Pin Cmnl
"	A122801	<a href="#">W10146716</a>		Mate-N-Loc
008	A154007	<a href="#">8182949</a>		Fastener, Push-On
009	A150005	<a href="#">150005</a>		6-32 X 1 4
010	A305007	<a href="#">W10146789</a>		Universal
"	A801425	<a href="#">801425</a>		AD15-81 ML
011	A122604	<a href="#">W10146714</a>		4 Pin Cmnl
012	A122700	<a href="#">122700</a>		MNL Pin S

