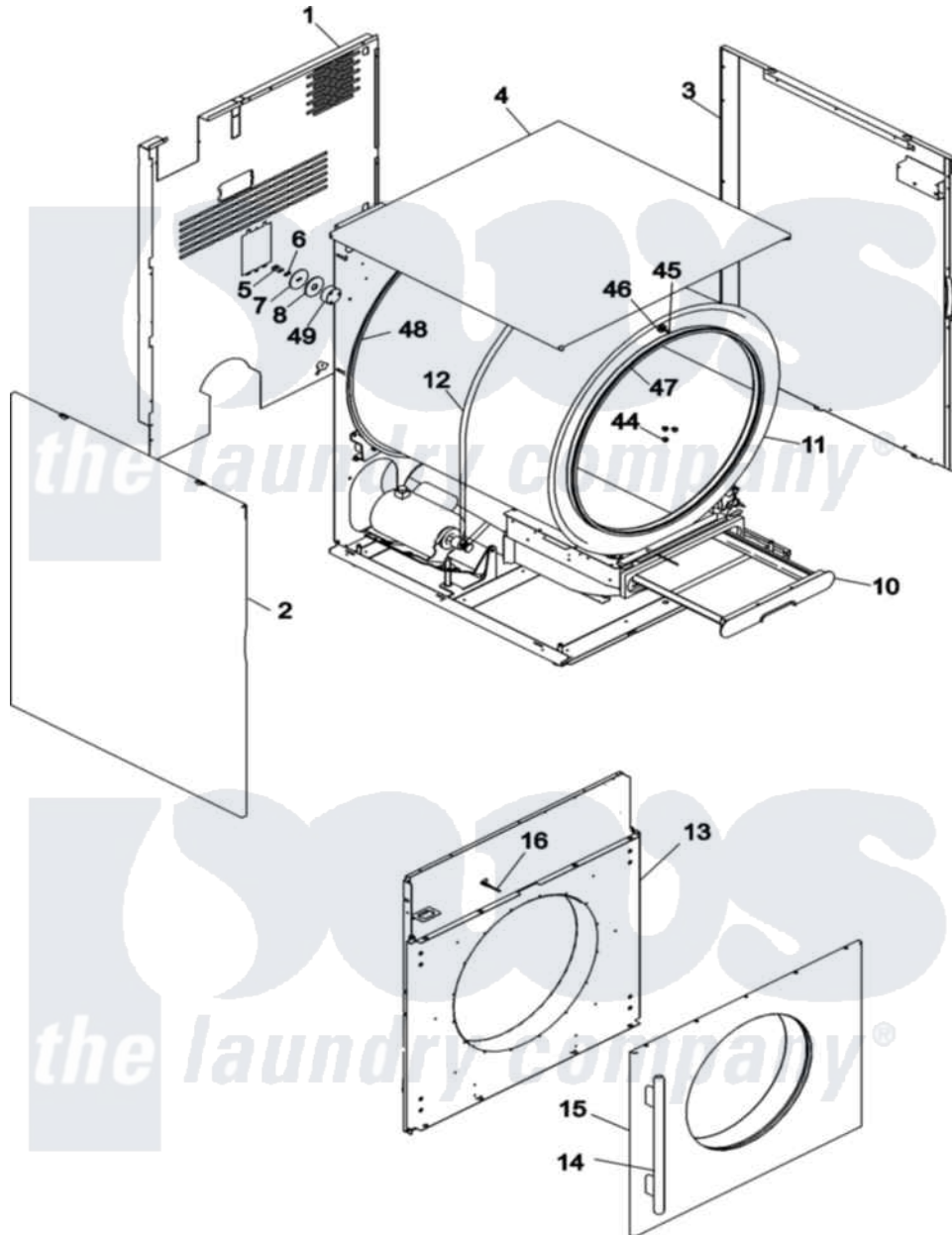


# Maytag MDG31PDSWS 01 - CABINET



Maytag [Commercial Maytag MDG31PDSWS Dryer Parts](#) Parts Diagram 01 - CABINET  
 Click on the part number to view part

Item	Original Part Number	Replaced By	Status	Part Description
001	<a href="#">A818923</a>			Back Guard Assembly Aft12-7-05
"	<a href="#">A819138</a>			Back Guard Assembly PRI12-7-05
002	<a href="#">A819125</a>			Panel, LH Assembly PRI12-7-05
"	A819615	<a href="#">819615</a>		SL31 Left
003	<a href="#">A819123</a>			Panel, RH Assembly PRI12-7-05
"	A819617	<a href="#">819617</a>		SL31 Right
004	A819141	<a href="#">W10147258</a>		SI-31 Oute
005	A150445	<a href="#">150445</a>		1 4-20 X 3
006	A153072	<a href="#">153072</a>		Spring Was
007	A318891	<a href="#">318891</a>		SI PI-20 B
008	A153048	<a href="#">153048</a>		Inner Fric
010	A819288		Not Available	LINT SCREEN ASY
"	A819315	<a href="#">W10147313</a>		SL31 Lint
011	A818815	<a href="#">W10147216</a>		SL31-3131

"	A819398	<a href="#">W10147348</a>	SL31-3131
012	A102407	<a href="#">102407</a>	Autotension
013	A102004	<a href="#">102004</a>	.750 Rnd
"	A102005	<a href="#">102005</a>	Compact Do
"	A152224	<a href="#">152224</a>	10-32 x 1 2
"	A400563	<a href="#">400563</a>	Spanner Bi
"	A819361	<a href="#">W10147332</a>	SL31 PH8 F
"	<a href="#">A819627</a>		Panel, Front Assembly W/Rh Hinge
014	<a href="#">102396</a>		Door Gasket
"	103067	<a href="#">8182856</a>	Hinge, Door
"	<a href="#">Y819302</a>		Door Assembly RH Hinge
"	A819303	<a href="#">W10147305</a>	SL31-3131
015	185182	<a href="#">W10146778</a>	SI Tubular
"	185183	Not Available	HANDLE
"	A150690	<a href="#">150690</a>	1 4-20 X 2
016	A819194	<a href="#">W10147270</a>	SL3131 PH8
"	A819573	<a href="#">819573</a>	Mlg33 PH8
017	A122002	<a href="#">W10146710</a>	Spst Door
"	A819210	<a href="#">W10147278</a>	SL31 Coin
018	A125916	<a href="#">125916</a>	Ug-400b 1
019	A154061	<a href="#">154061</a>	Tinnerman
"	A183129	<a href="#">183129</a>	10-32 x 1 2
"	A818816	<a href="#">W10147217</a>	MDG31 Cont
020	A185048	<a href="#">185048</a>	SL31 Top C
"	A185097	<a href="#">W10146777</a>	SL31 Top C
044	A150123	<a href="#">150123</a>	1 4-20 x 1 4
045	A154217	<a href="#">154217</a>	1 8 Diameter X.
046	A102004	<a href="#">102004</a>	.750 Rnd
047	A115906	<a href="#">115906</a>	Cg-20 Tumbler
048	A115910	<a href="#">280183</a>	Seal
"	A401010	<a href="#">401010</a>	3M 847 CO
049	A318784	<a href="#">318784</a>	PI-20 Soli
050	A851417	<a href="#">W10147785</a>	SL31 11 P

