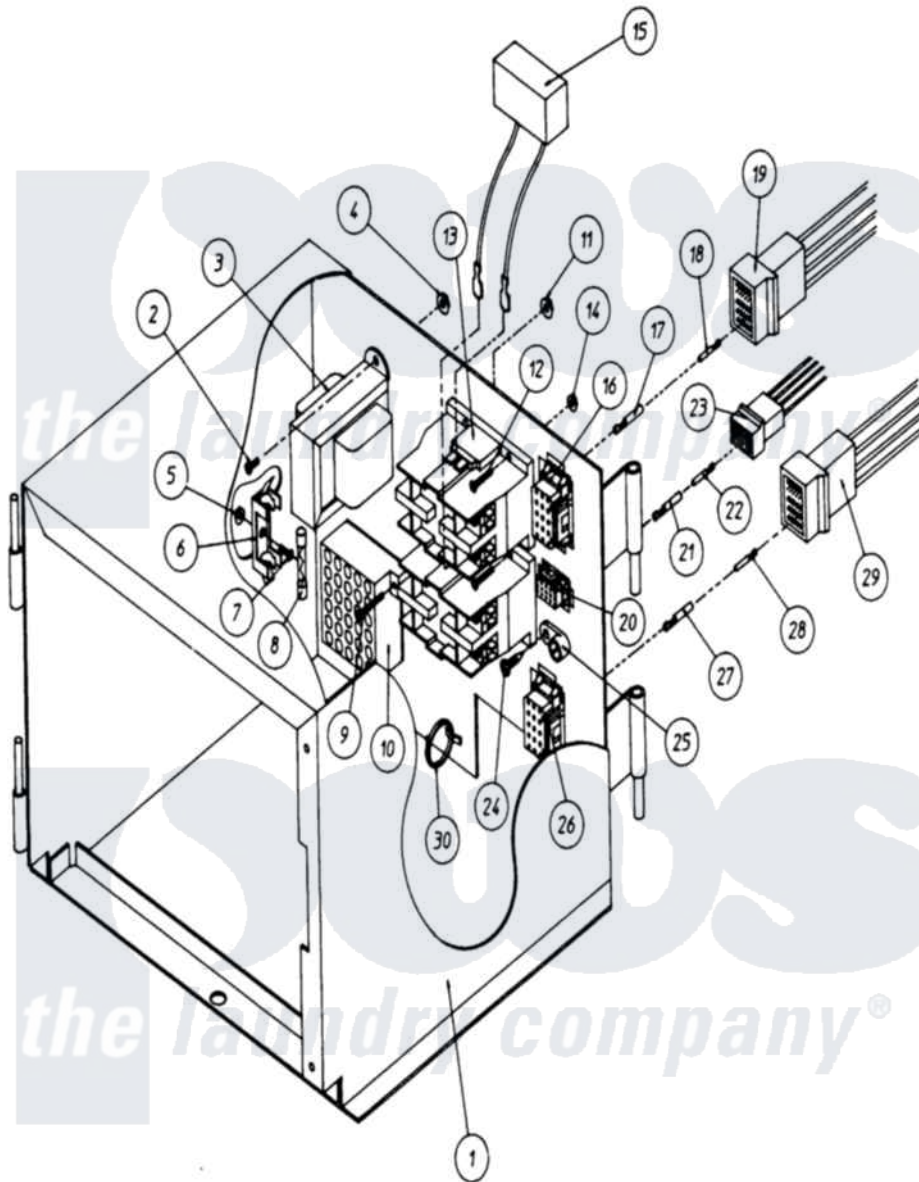


# Maytag MDG32PC3AL 10 - CONTROL BOX ASSEMBLY



Maytag Commercial Maytag MDG32PC3AL Dryer Parts Parts Diagram 10 - CONTROL BOX ASSEMBLY  
 Click on the part number to view part

Item	Original Part Number	Replaced By	Status	Part Description
000	W10124350		Not Available	ORDER PART FROM AMERICAN DRYER CORP AT 508-678-9000
001	A824440	<a href="#">824440</a>		430 Electr
002	A150103	<a href="#">150103</a>		8-32 X 3 4
003	A141403		Not Available	TRANSFORMER (24 VAC) (FOR MICROPROCESSOR MODELS)
004	A151001	<a href="#">W10146764</a>		8-32 Pal N
005	A151000	<a href="#">WH12X195</a>		Switch Assembly
006	A136008	<a href="#">136008</a>		Fuse Block
007	A150002	<a href="#">150002</a>		6-32 X 1
008	A136057	<a href="#">W10146739</a>		0.5 A 250
009	A150002	<a href="#">150002</a>		6-32 X 1
010	A120715	<a href="#">W10146700</a>		30 Pos Ter
011	A151000	<a href="#">WH12X195</a>		Switch Assembly
012	A150103	<a href="#">150103</a>		8-32 X 3 4
013	<a href="#">A132451</a>			CONTACTOR, TWO POLE

014	A151001	<a href="#">W10146764</a>	8-32 Pal N
015	A824828	<a href="#">W10147397</a>	RC Network
016	A122626	<a href="#">122626</a>	15P Umnl C
017	A122705	<a href="#">122705</a>	Umnl Sok 2
018	A122704	<a href="#">122704</a>	Umnl Pin 2
019	A122625	<a href="#">122625</a>	15 Pin Umn
"	A137025	<a href="#">137025</a>	6-15 Positive
020	A122631	<a href="#">122631</a>	06P Umnl C
021	A122705	<a href="#">122705</a>	Umnl Sok 2
022	A122704	<a href="#">122704</a>	Umnl Pin 2
023	A122630	<a href="#">122630</a>	06P Umnl P
"	A137025	<a href="#">137025</a>	6-15 Positive
024	A150415	Not Available	SCREW, CRIMPTITE (PH. RD.HD.) (No.10-16 X 1/2" PH. RD. HD.)
025	A121010	<a href="#">121010</a>	14-4 Termi
026	A122626	<a href="#">122626</a>	15P Umnl C
027	A122705	<a href="#">122705</a>	Umnl Sok 2
028	A122704	<a href="#">122704</a>	Umnl Pin 2
029	A122625	<a href="#">122625</a>	15 Pin Umn
"	A137025	<a href="#">137025</a>	6-15 Positive
030	A121494	<a href="#">121494</a>	Tie, Wire
031	A122801	<a href="#">W10146716</a>	Mate-N-Loc
032	A122800	<a href="#">122800</a>	M R EXTRAC

