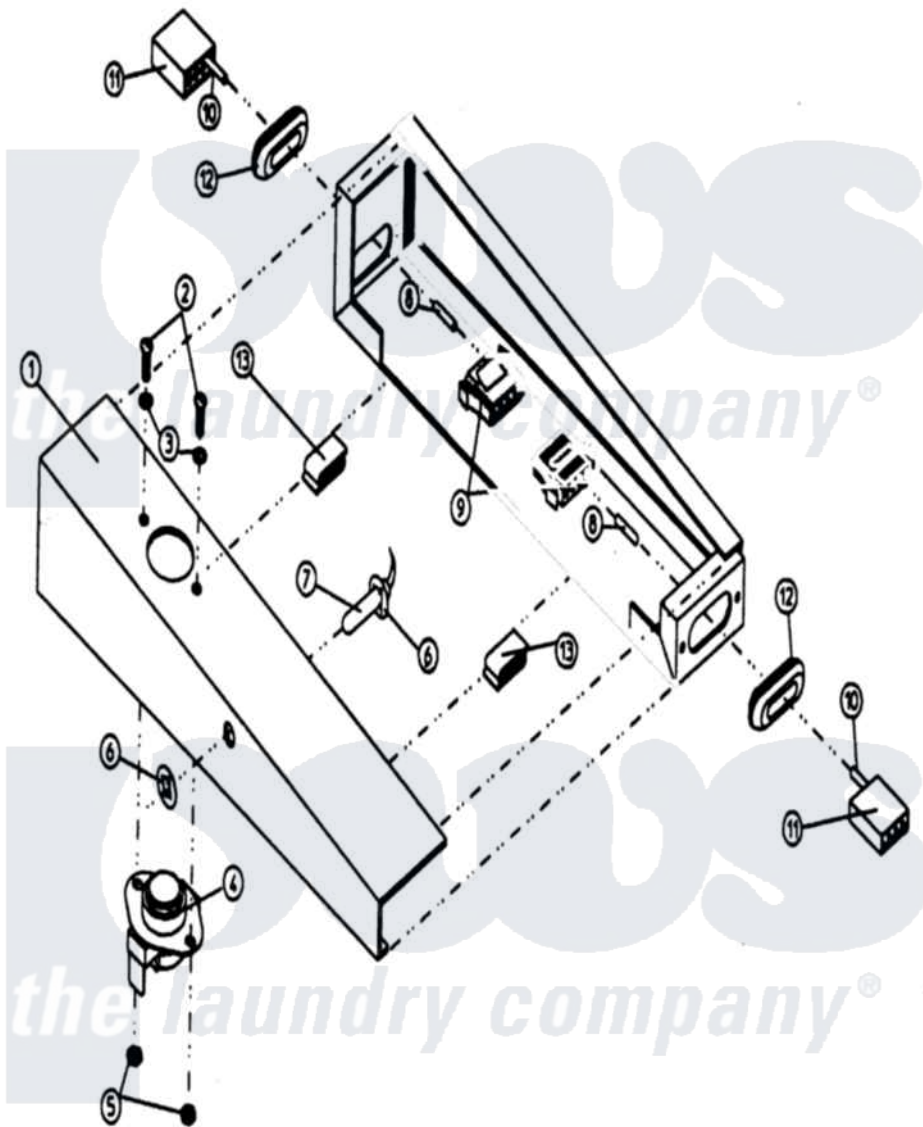


# Maytag MDG32PC3AL 12 - TEMPERATURE SENSOR PROBE



Maytag [Commercial Maytag MDG32PC3AL Dryer Parts](#) Parts Diagram 12 - TEMPERATURE SENSOR PROBE  
 Click on the part number to view part

Item	Original Part Number	Replaced By	Status	Part Description
000	W10124350		Not Available	ORDER PART FROM AMERICAN DRYER CORP AT 508-678-9000
001	A8800258		Not Available	BRACKET, TEMPERATURE SENSOR
002	A150005	<a href="#">150005</a>		6-32 X 1 4
003	A153010	<a href="#">153010</a>		6 Internal
004	A130107	<a href="#">W10146727</a>		L160 Tod3
005	A152013	<a href="#">152013</a>		6-32 Hex N
006	A154007	<a href="#">8182949</a>		Fastener, Push-On
007	A880111	<a href="#">880111</a>		330 430 MP
008	A122701	<a href="#">122701</a>		MNL Socket
009	A122605	<a href="#">122605</a>		4 Pin Cmnl
010	A122700	<a href="#">122700</a>		MNL Pin S
011	A122604	<a href="#">W10146714</a>		4 Pin Cmnl
"	A122801	<a href="#">W10146716</a>		Mate-N-Loc
012	A121405	<a href="#">121405</a>		Rubber Gro

