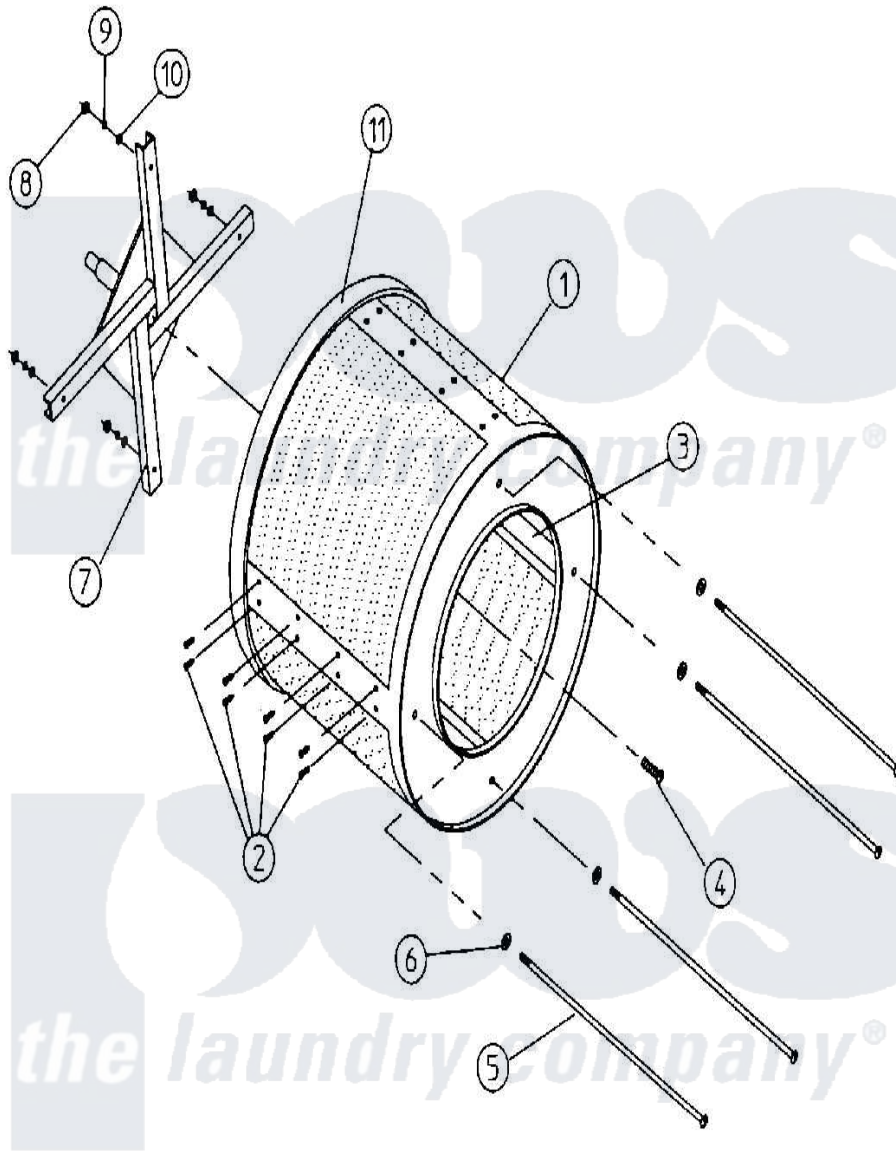


Maytag MDG50MNAWW 10 - TUMBLER & SUPPORT ASSEMBLY



MAN0309

Maytag [Commercial Maytag MDG50MNAWW Dryer Parts](#) Parts Diagram 10 - TUMBLER & SUPPORT ASSEMBLY
 Click on the part number to view part

| Item | Original Part Number | Replaced By | Status | Part Description |
|------|----------------------|---------------------------|---------------|--|
| 000 | W10124350 | | Not Available | ORDER PARTS FROM AMERICAN DRYER CORP AT 508-678-9000 |
| 001 | A800837 | 800837 | | 50 1 3 4 |
| " | A800838 | 800838 | | Ad-50 Tumbler |
| " | A800839 | W10147066 | | 50 1 3 4 |
| 002 | A150309 | W10146761 | | 10-16 X 1 |
| 003 | A301302 | 301302 | | 50 Tumbler |
| " | A301311 | W10146781 | | 50 Tapere |
| 004 | A150500 | | Not Available | SCREW, SOCKET BUTTON HD. (5/16-18" X 38 1/2") |
| 005 | A100903 | 100903 | | 3 8-16 X 3 |
| 006 | A153004 | 153004 | | 3 8 X 1 |
| 007 | A800614 | W10147062 | | 50 1 3 4 |
| " | A800616 | W10147063 | | 50 1 3 4 |
| 008 | A152005 | 152005 | | 3 8-16 Hex |
| 009 | A153005 | 153005 | | 3 8 Split |

010 A153004

[153004](#)

3 8 X 1

011 A116001

[W10146665](#)

Felt Colla

"

A401010

[401010](#)

3M 847 CO

