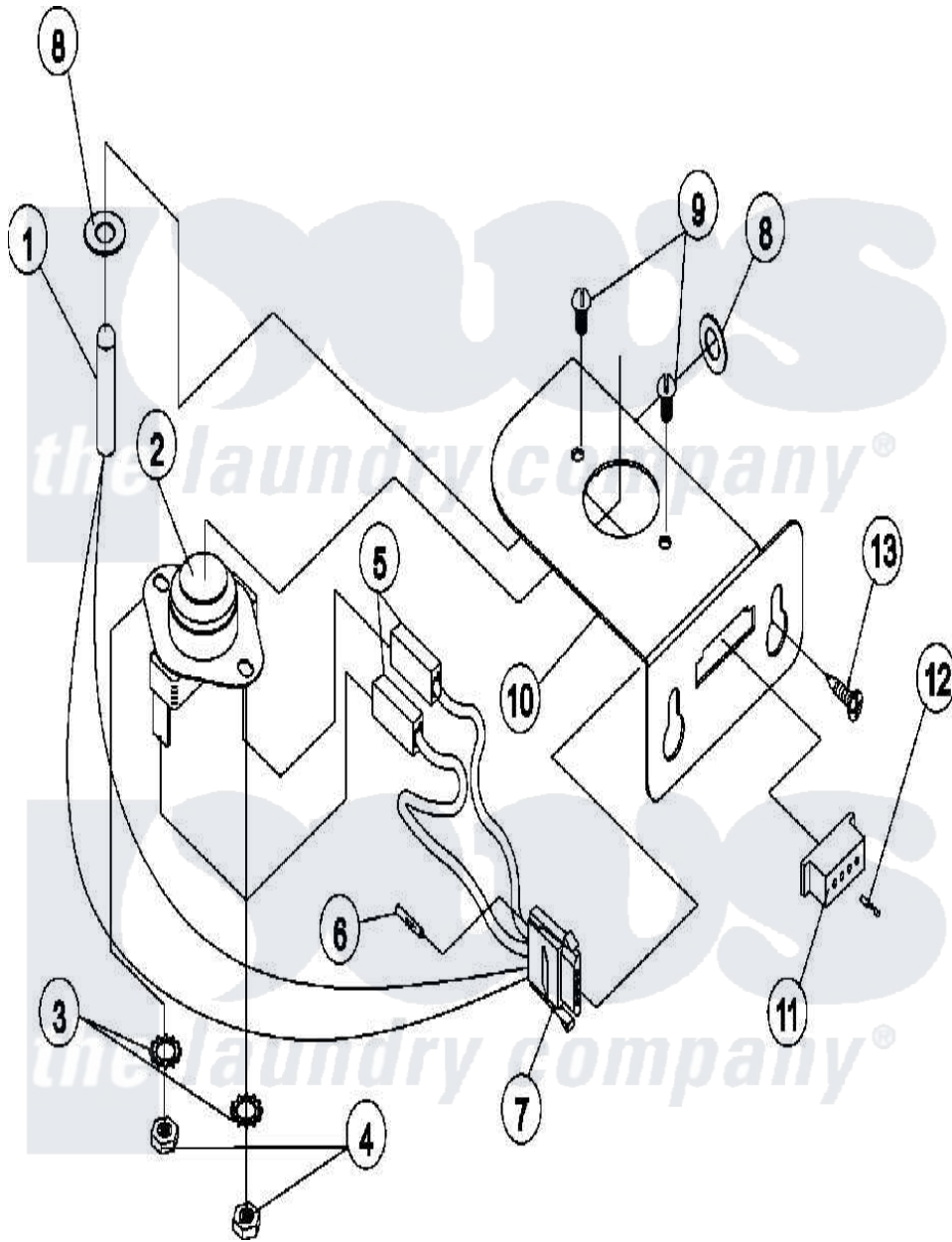


# Maytag MDG50MNVWQ 09 - SENSOR BRACKET



Maytag [Commercial Maytag MDG50MNVWQ Dryer Parts](#) Parts Diagram 09 - SENSOR BRACKET  
 Click on the part number to view part

| Item | Original Part Number    | Replaced By               | Status | Part Description                                     |
|------|-------------------------|---------------------------|--------|--|
| 000  | <a href="#">A000000</a> |                           |        | Order Part From American Dryer Phone No.508-678-9000 |
| 001  | A882533                 | <a href="#">882533</a>    |        | Ad-25-30-5   |
| 002  | A130301                 | <a href="#">W10146732</a> |        | L225 Tod3  |
| 003  | A153010                 | <a href="#">153010</a>    |        | 6 Internal   |
| 004  | A152000                 | <a href="#">152000</a>    |        | 6-32 HEX N   |
| 005  | A121028                 | <a href="#">121028</a>    |        | 1 4 X.032  |
| 006  | A122701                 | <a href="#">122701</a>    |        | MNL Socket   |
| 007  | A122605                 | <a href="#">122605</a>    |        | 4 Pin Cmnl   |
| 008  | A154007                 | <a href="#">8182949</a>   |        | Fastener, Push-On                                    |
| 009  | A150005                 | <a href="#">150005</a>    |        | 6-32 X 1 4   |
| 010  | <a href="#">A322062</a> |                           |        | Bracket, Sensor                                      |
| "    | A801425                 | <a href="#">801425</a>    |        | AD15-81 ML   |
| 011  | A122604                 | <a href="#">W10146714</a> |        | 4 Pin Cmnl   |
| 012  | A122700                 | <a href="#">122700</a>    |        | MNL Pin S  |
| 013  | A150301                 | <a href="#">150301</a>    |        | 8-18 X 7   |