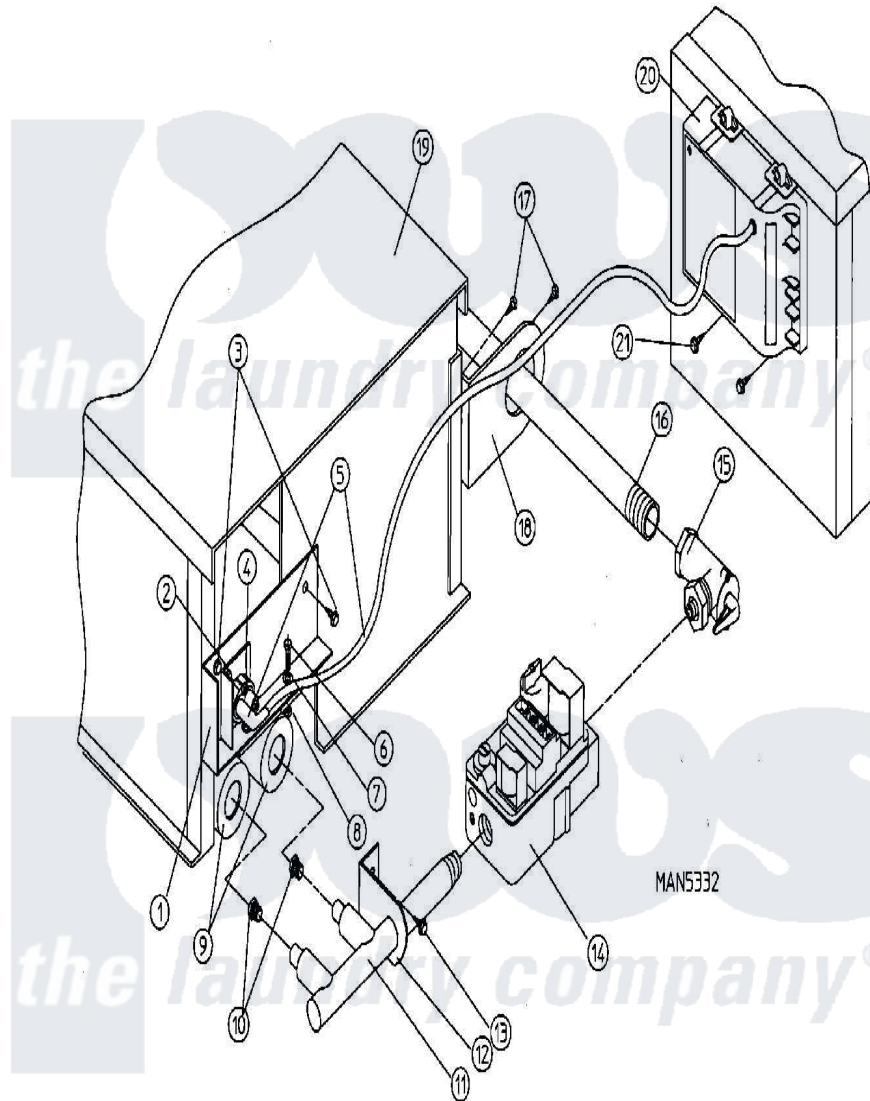


Maytag MDG50PN1AL 12 - IGNITION & BURNER ASSEMBLY



Maytag [Commercial Maytag MDG50PN1AL Dryer Parts](#) Parts Diagram 12 - IGNITION & BURNER ASSEMBLY
 Click on the part number to view part

Item	Original Part Number	Replaced By	Status	Part Description
000	W10124350		Not Available	ORDER PARTS FROM AMERICAN DRYER CORP AT 508-678-9000
001	A318030	W10146864		50 60 Si
002	A150300	5307527001		Switch
003	A150415		Not Available	SCREW, CRIMPTITE (PH. RD.HD.) (No.10-16 X 1/2" PH. RD. HD.)
004	A128915		Not Available	DSI IGNITER & FLAME PROBE ONLY
"	A880134		Not Available	IGNITER/FLAME PROBE KIT ASSY (INCLUDES No.4 & 5)
005	A880330	W10148002		DSI Ignitor
006	A150103	150103		8-32 X 3 4
007	A153000	153000		8 SAE WAS
008	A151001	W10146764		8-32 Pal N
009	A141105	W10146749		Large Gas
010	A140827	140827		Burner Ori
"	A140854	W10146748		Burner Ori

011	A141230		Not Available	1/2`` DSI MANIFOLD (2 PORT)
012	A318700	W10146865		SM Burner
013	A150300	5307527001		Switch
014	A128927		Not Available	VALVE, GAS (REDUNDANT) (1/2`` 24 VAC, NATURAL GAS)
"	A140411		Not Available	CONVERSION KIT (1/2`` 24 VAC GAS VALVE (L.P.) W/O ORIFICES
"	A880960	W10148110		1 2 24V D
015	A142506	142506		1 2 X 1 2
"	A142600	142600		1 2 Black
"	A142707	142707		1 2 X 1 1
"	A881367	W10148314		1 2 Un
016	A142809	W10146757		1 2 X 29 1
017	A150309	W10146761		10-16 X 1
018	A318700	W10146865		SM Burner
019	A809625	809625		50 NAT Spa
"	A809626	809626		50 LP Spar
"	A850851	850851		30-50 DSI
020	A128935		Not Available	DIRECT SPARK IGNITION MODULE
"	A128937		Not Available	MODULE (DSI)
"	A815724			Assembly, Bracket
"	A880815			MODULE, DSI (50HZ/60HZ)
021	A150299	150299		10 X 1 H
022	A410001	410001		1 2 Hex L
023	A874044	874044		ADG-50 N

the laundry company[®]

lows
the laundry company[®]