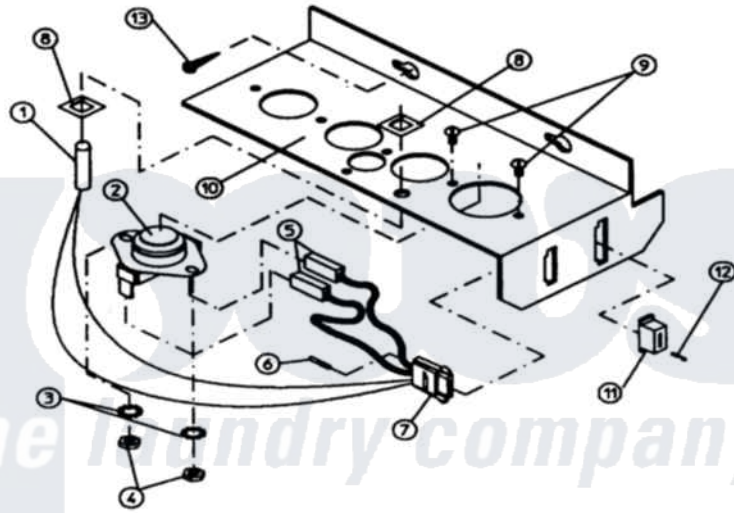
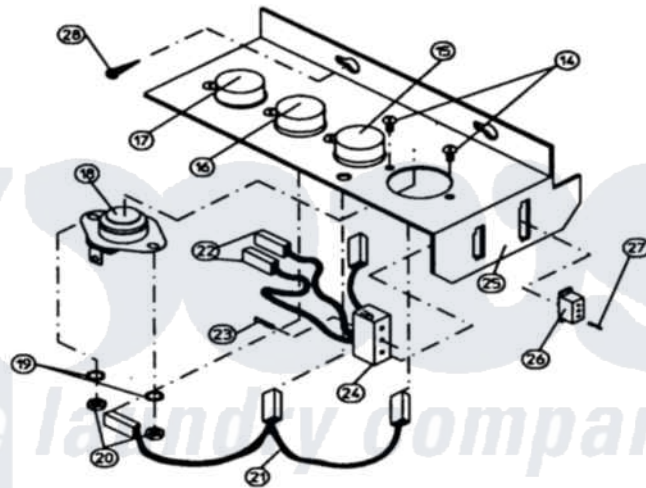


Maytag MDG50PN1AL 15 - SENSOR BRACKET ASSEMBLY



MICROPROCESSOR SENSOR BRACKET ASSEMBLY



NON-COMPUTER SENSOR BRACKET ASSEMBLY

Maytag [Commercial Maytag MDG50PN1AL Dryer Parts](#) Parts Diagram 15 - SENSOR BRACKET ASSEMBLY
 Click on the part number to view part

| Item | Original Part Number | Replaced By | Status | Part Description |
|------|----------------------|---------------------------|---------------|---------------------------|
| 000 | W10124350 | | Not Available | ORDER PARTS FROM AMERICAN |
| 001 | A880251 | W10147995 | | 1 4 Tem |
| 002 | A130301 | W10146732 | | L225 Tod3 |
| 003 | A153010 | 153010 | | 6 Internal |
| 004 | A152000 | 152000 | | 6-32 HEX N |
| 005 | A121028 | 121028 | | 1 4 X.032 |
| 006 | A122701 | 122701 | | MNL Socket |
| 007 | A122605 | 122605 | | 4 Pin Cmnl |
| " | A122801 | W10146716 | | Mate-N-Loc |
| 008 | A154007 | 8182949 | | Fastener, Push-On |
| 009 | A150005 | 150005 | | 6-32 X 1 4 |
| 010 | A305007 | W10146789 | | Universal |
| " | A801425 | 801425 | | AD15-81 ML |
| 011 | A122604 | W10146714 | | 4 Pin Cmnl |
| 012 | A122700 | 122700 | | MNL Pin S |
| 013 | A150301 | 150301 | | 8-18 X 7 |

| | | | |
|-----|---------|---------------------------|-------------------------|
| 014 | A150005 | 150005 | 6-32 X 1 4 |
| 015 | A130111 | W10146728 | L130 Tod3 |
| 016 | A130100 | W10146723 | L150 Tod3 |
| 017 | A130301 | W10146732 | L225 Tod3 |
| 018 | A130101 | Not Available | THERMOSTAT (180 DEGREE) |
| 019 | A153010 | 153010 | 6 Internal |
| 020 | A152000 | 152000 | 6-32 HEX N |
| 021 | A840065 | 840065 | 4 Sensor J |
| 022 | A121028 | 121028 | 1 4 X.032 |
| 023 | A122701 | 122701 | MNL Socket |
| 024 | A122605 | 122605 | 4 Pin Cmnl |
| " | A840062 | 840062 | 4 Sensor B |
| 025 | A305007 | W10146789 | Universal |
| " | A801418 | 801418 | AD15-75 Fo |
| 026 | A122604 | W10146714 | 4 Pin Cmnl |
| 027 | A122700 | 122700 | MNL Pin S |
| 028 | A150301 | 150301 | 8-18 X 7 |

