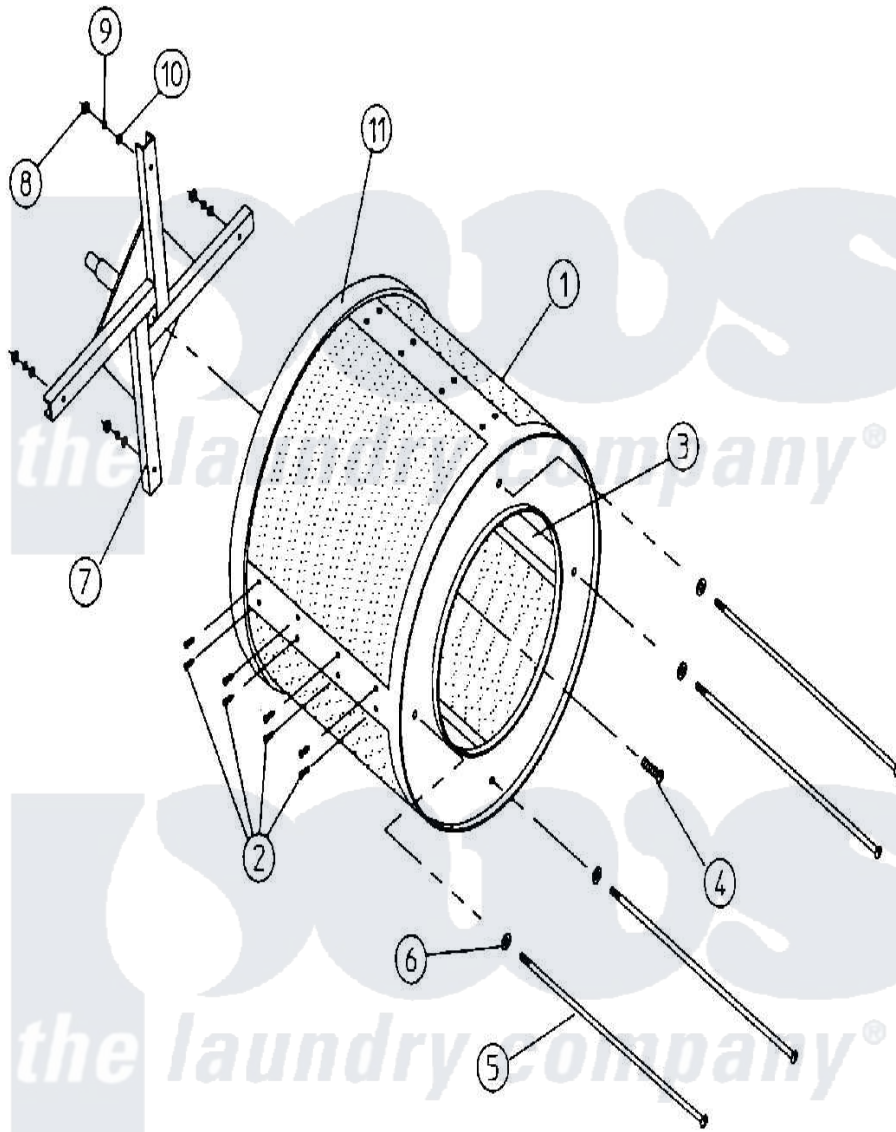


# Maytag MDG50PN2VW 11 - TUMBLER & SUPPORT ASSEMBLY



MAN0309

Maytag [Commercial Maytag MDG50PN2VW Dryer Parts](#) Parts Diagram 11 - TUMBLER & SUPPORT ASSEMBLY  
 Click on the part number to view part

Item	Original Part Number	Replaced By	Status	Part Description
000	W10124350		Not Available	ORDER PARTS FROM AMERICAN DRYER CORP AT 508-678-9000
001	A800837	<a href="#">800837</a>		50 1 3 4
"	A800838	<a href="#">800838</a>		Ad-50 Tumbler
"	A800839	<a href="#">W10147066</a>		50 1 3 4
002	A150309	<a href="#">W10146761</a>		10-16 X 1
003	A301302	<a href="#">301302</a>		50 Tumbler
"	A301311	<a href="#">W10146781</a>		50 Tapere
004	A150500		Not Available	SCREW, SOCKET BUTTON HD. (5/16-18" X 38 1/2")
005	A100903	<a href="#">100903</a>		3 8-16 X 3
006	A153004	<a href="#">153004</a>		3 8 X 1
007	A800614	<a href="#">W10147062</a>		50 1 3 4
"	A800616	<a href="#">W10147063</a>		50 1 3 4
008	A152005	<a href="#">152005</a>		3 8-16 Hex
009	A153005	<a href="#">153005</a>		3 8 Split

010 A153004

[153004](#)

3 8 X 1

011 A116001

[W10146665](#)

Felt Colla

"

A401010

[401010](#)

3M 847 CO

