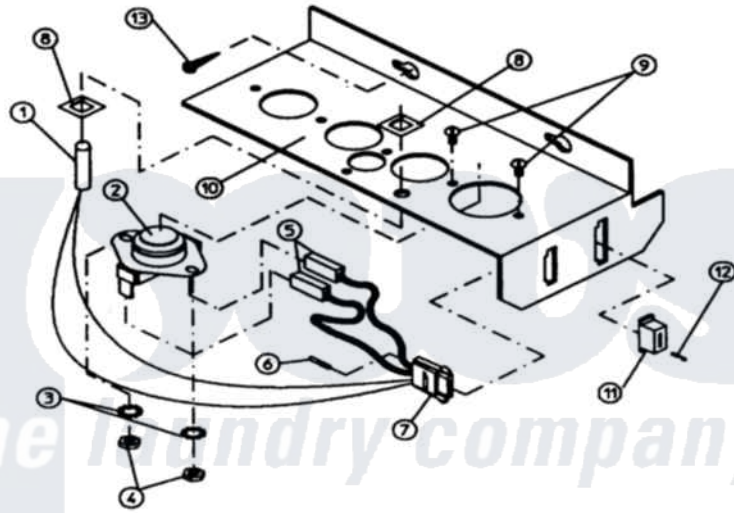
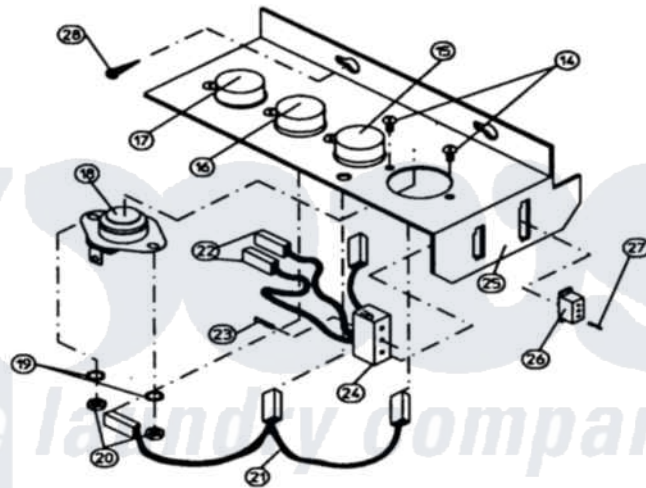


Maytag MDG50PN2VW 15 - SENSOR BRACKET ASSEMBLY



MICROPROCESSOR SENSOR BRACKET ASSEMBLY



NON-COMPUTER SENSOR BRACKET ASSEMBLY

Maytag [Commercial Maytag MDG50PN2VW Dryer Parts](#) Parts Diagram 15 - SENSOR BRACKET ASSEMBLY
 Click on the part number to view part

Item	Original Part Number	Replaced By	Status	Part Description
000	W10124350		Not Available	ORDER PARTS FROM AMERICAN
001	A880251	W10147995		1 4 Tem
002	A130301	W10146732		L225 Tod3
003	A153010	153010		6 Internal
004	A152000	152000		6-32 HEX N
005	A121028	121028		1 4 X.032
006	A122701	122701		MNL Socket
007	A122605	122605		4 Pin Cmnl
"	A122801	W10146716		Mate-N-Loc
008	A154007	8182949		Fastener, Push-On
009	A150005	150005		6-32 X 1 4
010	A305007	W10146789		Universal
"	A801425	801425		AD15-81 ML
011	A122604	W10146714		4 Pin Cmnl
012	A122700	122700		MNL Pin S
013	A150301	150301		8-18 X 7

014	A150005	150005	6-32 X 1 4
015	A130111	W10146728	L130 Tod3
016	A130100	W10146723	L150 Tod3
017	A130301	W10146732	L225 Tod3
018	A130101	Not Available	THERMOSTAT (180 DEGREE)
019	A153010	153010	6 Internal
020	A152000	152000	6-32 HEX N
021	A840065	840065	4 Sensor J
022	A121028	121028	1 4 X.032
023	A122701	122701	MNL Socket
024	A122605	122605	4 Pin Cmnl
"	A840062	840062	4 Sensor B
025	A305007	W10146789	Universal
"	A801418	801418	AD15-75 Fo
026	A122604	W10146714	4 Pin Cmnl
027	A122700	122700	MNL Pin S
028	A150301	150301	8-18 X 7

