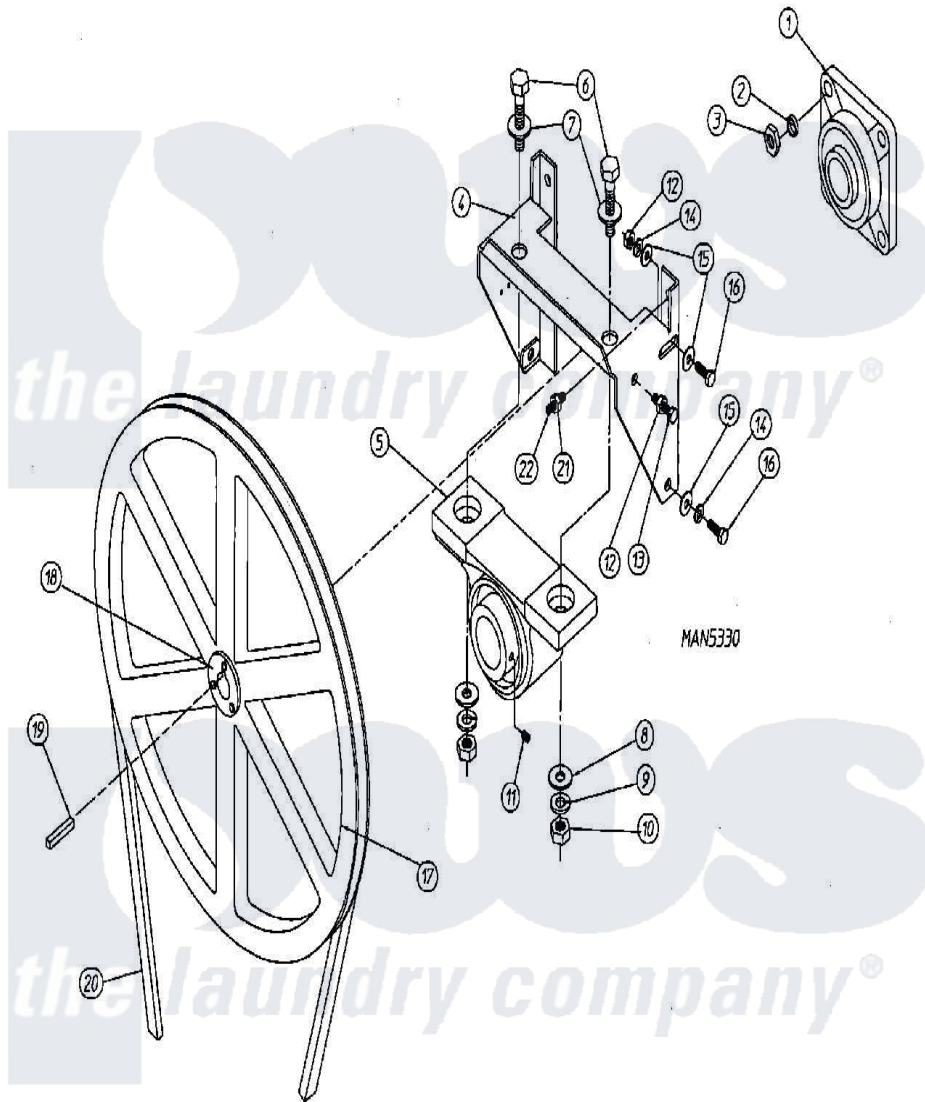


Maytag MDG50PN2VW 17 - TUMBLER BEARING ASSEMBLY



Maytag [Commercial Maytag MDG50PN2VW Dryer Parts](#) Parts Diagram 17 - TUMBLER BEARING ASSEMBLY
 Click on the part number to view part

Item	Original Part Number	Replaced By	Status	Part Description
000	W10124350		Not Available	ORDER PARTS FROM AMERICAN DRYER CORP AT 508-678-9000
001	A880220		Not Available	BEARING, FLANGE
002	A153025	153025		9 16 Lock
003	A152050	152050		9 16-12 He
004	A801761	801761		Ad-78 Tumbler
"	A801775	801775		Ad-78 Pill
005	A880202	W10147978		1 3 8 Pil
006	A150633	150633		1 2-13 X 2
007	A153011	153011		9 16 ID- 1
008	A153011	153011		9 16 ID- 1
009	A153026	153026		1 2 Std L
010	A152011	152011		1 2-13 Hex
011	A154322	154322		3 8-24 X 7
012	A152004	8182933		Nut, Hex
013	A150621	150621		5 16-18 X

014	A153002	8182939	Washer, Lock
015	A153001	153001	5 16 Flat
016	A150621	150621	5 16-18 X
017	A101100		Not Available
"	A101219	101219	PULLEY, 18" (NON-REVERSING)
018	A101220	W10146636	1A18 Taper
019	A100719	100719	1 15 16 T
020	A100135	W10146571	1 2 X 1 2
021	A152004	8182933	Ap-74 V-be
022	A150610	150610	Nut, Hex
			5 16-18 X

