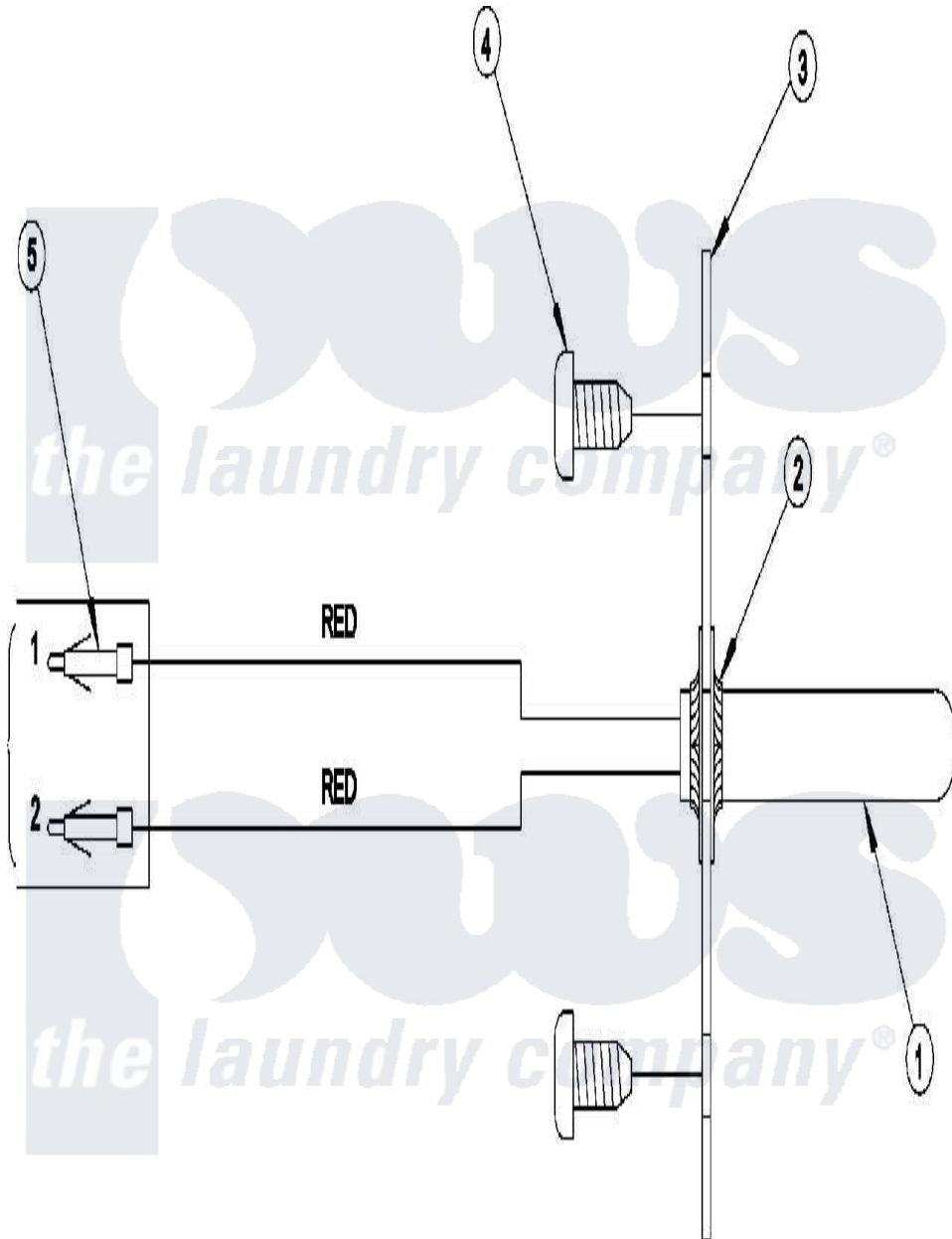


# Maytag MDG50PNHWQ 17 - TEMPERATURE PROBE (SAFE)



Maytag [Commercial Maytag MDG50PNHWQ Dryer Parts](#) Parts Diagram 17 - TEMPERATURE PROBE (SAFE)  
 Click on the part number to view part

Item	Original Part Number	Replaced By	Status	Part Description
000	<a href="#">A000000</a>			Order Part From American Dryer Phone No.508-678-9000
001	A822752	<a href="#">W10147392</a>		Phase 7 Fs
002	A154007	<a href="#">8182949</a>		Fastener, Push-On
003	A390390	<a href="#">390390</a>		FSS Sensor
004	A150301	<a href="#">150301</a>		8-18 X 7
005	A122647	<a href="#">122647</a>		2-Pin Amp