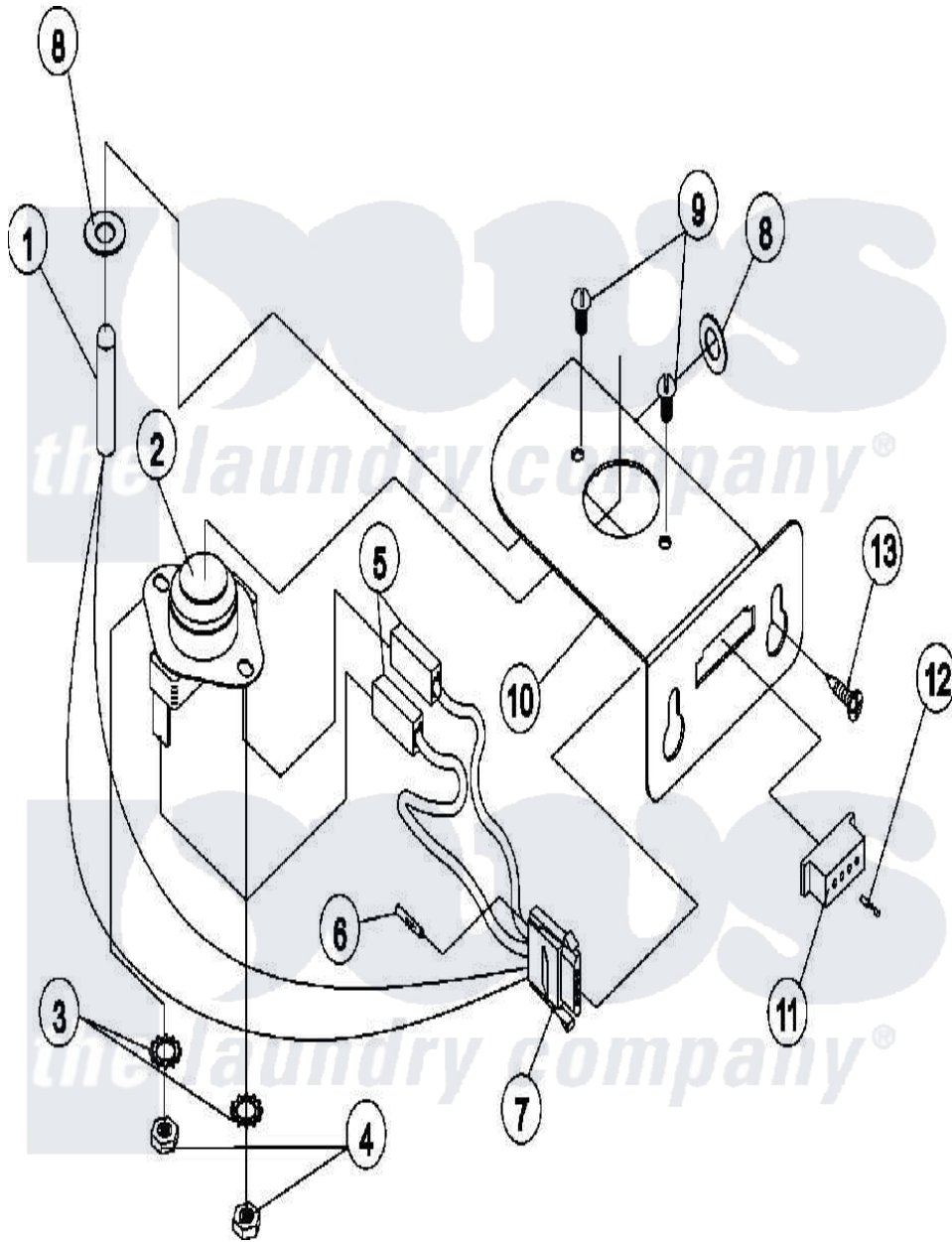


# Maytag MDG50PNVWW 09 - SENSOR BRACKET



Maytag [Commercial Maytag MDG50PNVWW Dryer Parts](#) Parts Diagram 09 - SENSOR BRACKET  
 Click on the part number to view part

Item	Original Part Number	Replaced By	Status	Part Description
000	<a href="#">A000000</a>			Order Part From American Dryer Phone No.508-678-9000
001	A882533	<a href="#">882533</a>		Ad-25-30-5
002	A130301	<a href="#">W10146732</a>		L225 Tod3
003	A153010	<a href="#">153010</a>		6 Internal
004	A152000	<a href="#">152000</a>		6-32 HEX N
005	A121028	<a href="#">121028</a>		1 4 X .032
006	A122701	<a href="#">122701</a>		MNL Socket
007	A122605	<a href="#">122605</a>		4 Pin Cmnl
008	A154007	<a href="#">8182949</a>		Fastener, Push-On
009	A150005	<a href="#">150005</a>		6-32 X 1 4
010	<a href="#">A322062</a>			Bracket, Sensor
"	A801425	<a href="#">801425</a>		AD15-81 ML
011	A122604	<a href="#">W10146714</a>		4 Pin Cmnl
012	A122700	<a href="#">122700</a>		MNL Pin S
013	A150301	<a href="#">150301</a>		8-18 X 7