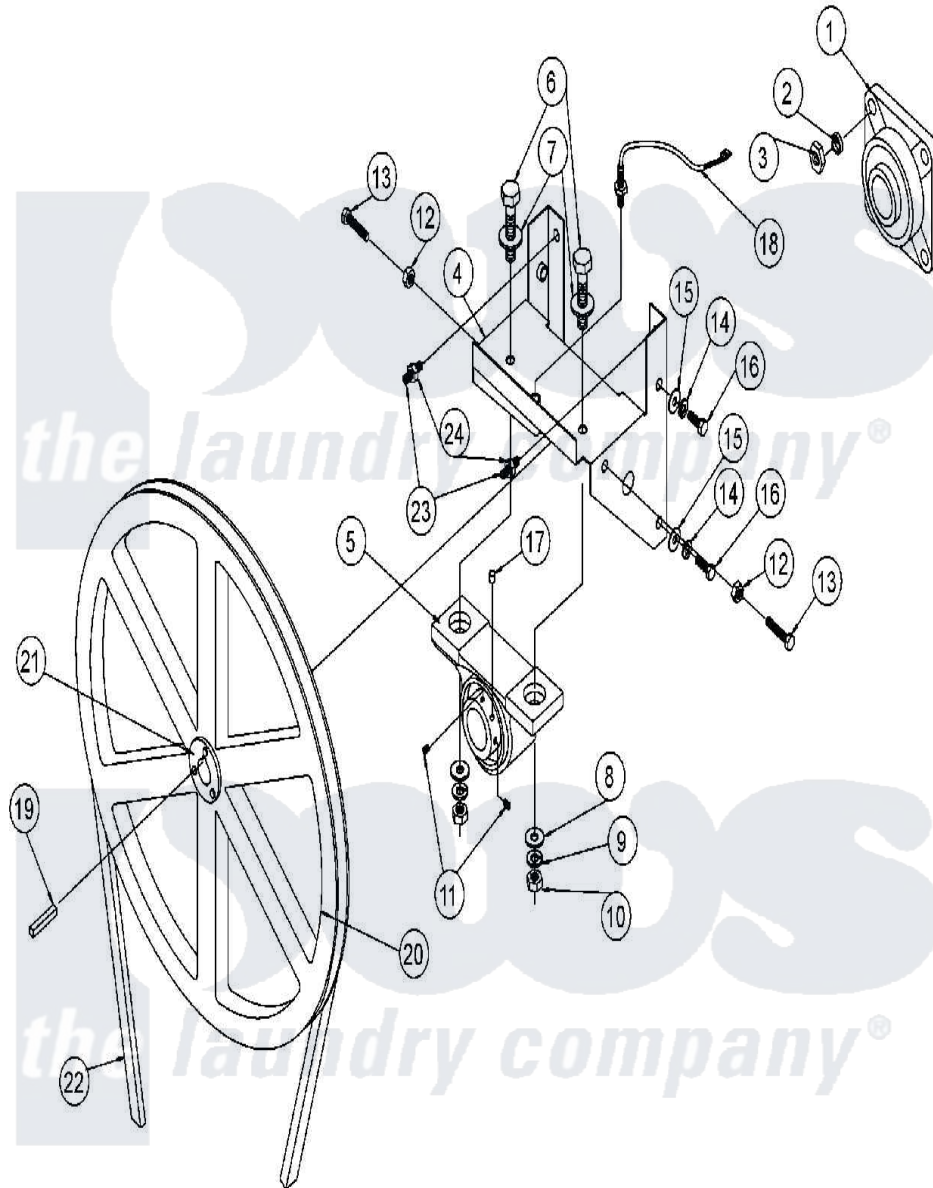


Maytag MDG50PNVWW 10 - TUMBLER BEARING



Maytag Commercial Maytag MDG50PNVWW Dryer Parts Parts Diagram 10 - TUMBLER BEARING
 Click on the part number to view part

| Item | Original Part Number | Replaced By | Status | Part Description |
|------|-------------------------|---------------------------|---------------|--|
| 000 | A000000 | | | Order Part From American Dryer Phone No.508-678-9000 |
| 001 | A880220 | | Not Available | BEARING, FLANGE |
| 002 | A153025 | 153025 | | 9 16 Lock |
| 003 | A152050 | 152050 | | 9 16-12 He |
| 004 | A882543 | 882543 | | Tumbler PB be |
| " | A882544 | 882544 | | Tumbler PB be |
| 005 | A880202 | W10147978 | | 1 3 8 Pil |
| 006 | A150601 | 150601 | | 3 8-16 X 2 |
| 007 | A153004 | 153004 | | 3 8 X 1 |
| 008 | A153004 | 153004 | | 3 8 X 1 |
| 009 | A153005 | 153005 | | 3 8 Split |
| 010 | A152005 | 152005 | | 3 8-16 Hex |
| 011 | A154326 | | Not Available | SCREW, CONE POINT SET (No.5/16-24 X 3/8") |
| 012 | A152004 | 8182933 | | Nut, Hex |
| 013 | A150621 | 150621 | | 5 16-18 X |

| | | | |
|-----|---------|---------------------------|-----------------------------|
| 014 | A153002 | 8182939 | Washer, Lock |
| 015 | A153004 | 153004 | 3 8 X 1 |
| 016 | A150501 | 150501 | 5 16-18 X |
| 017 | A102120 | 170608 | .25 X .25 |
| 018 | A824807 | 824807 | Rotational |
| 019 | A100735 | 100735 | 50-65-75 S |
| 020 | A101100 | Not Available | PULLEY, 18" (NON-REVERSING) |
| 021 | A101110 | 101110 | L X 1 Bus |
| 022 | A100100 | W10146547 | 5I-660 V-B |
| 023 | A150610 | 150610 | 5 16-18 X |
| 024 | A152004 | 8182933 | Nut, Hex |

the laundry company[®]

the laundry company[®]

the laundry company[®]