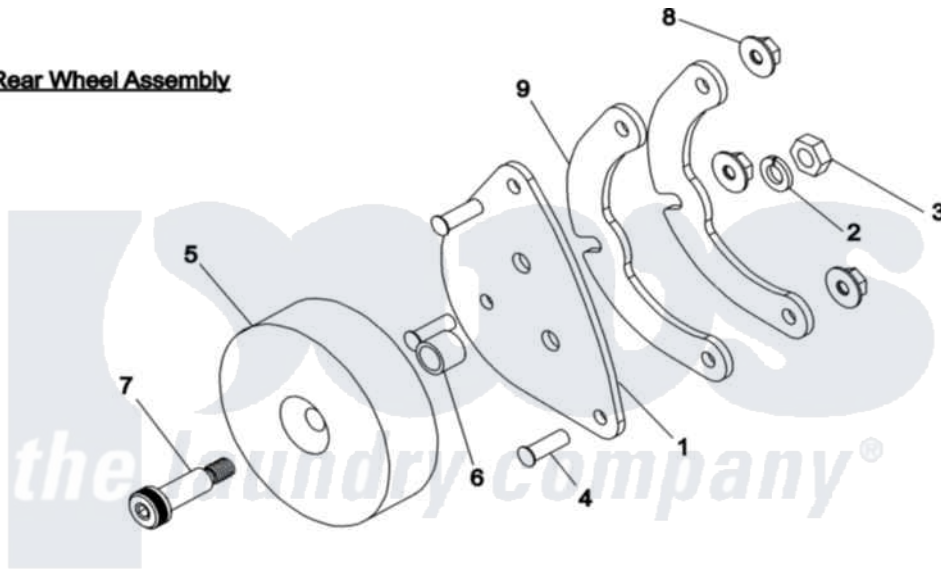
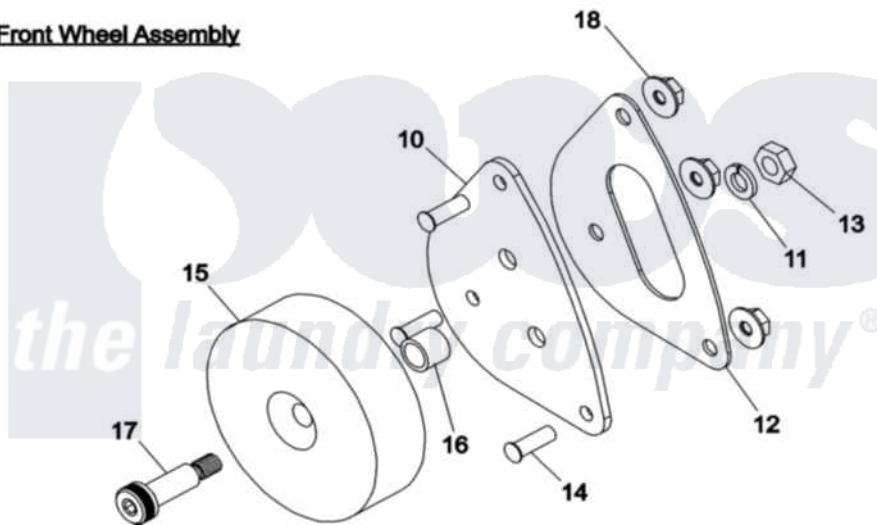


Maytag MDG51PDSWW 07 - ROLLER WHEEL ASSEMBLY

Rear Wheel Assembly



Front Wheel Assembly



Maytag [Commercial Maytag MDG51PDSWW Dryer Parts](#) Parts Diagram 07 - ROLLER WHEEL ASSEMBLY
 Click on the part number to view part

Item	Original Part Number	Replaced By	Status	Part Description
001	A350196	W10146894		SL50-SL75-
002	A153002	8182939		Washer, Lock
003	A154013	154013		M8 Steel H
004	A153557			1/4-20 X 3/5- Clinch Stud
005	A180060	180060		3 1 2 Tumbler
006	A154284		Not Available	TUMBLER WHEEL SPACER
007	A154267		Not Available	M10x25MM SHOULDER SCREW
008	A152014	152014		1 4-20 Ser
009	A350198			Shim, Rear Wheel Bracket
010	A350196	W10146894		SL50-SL75-
011	A153002	8182939		Washer, Lock
012	A350197			Shim, Front Wheel Bracket
013	A154013	154013		M8 Steel H
014	A153557			1/4-20 X 3/5- Clinch Stud
015	A180060	180060		3 1 2 Tumbler
016	A154284		Not Available	TUMBLER WHEEL SPACER

017 A154267

Not Available

M10x25MM SHOULDER
SCREW

018 A152014

[152014](#)

1 4-20 Ser

