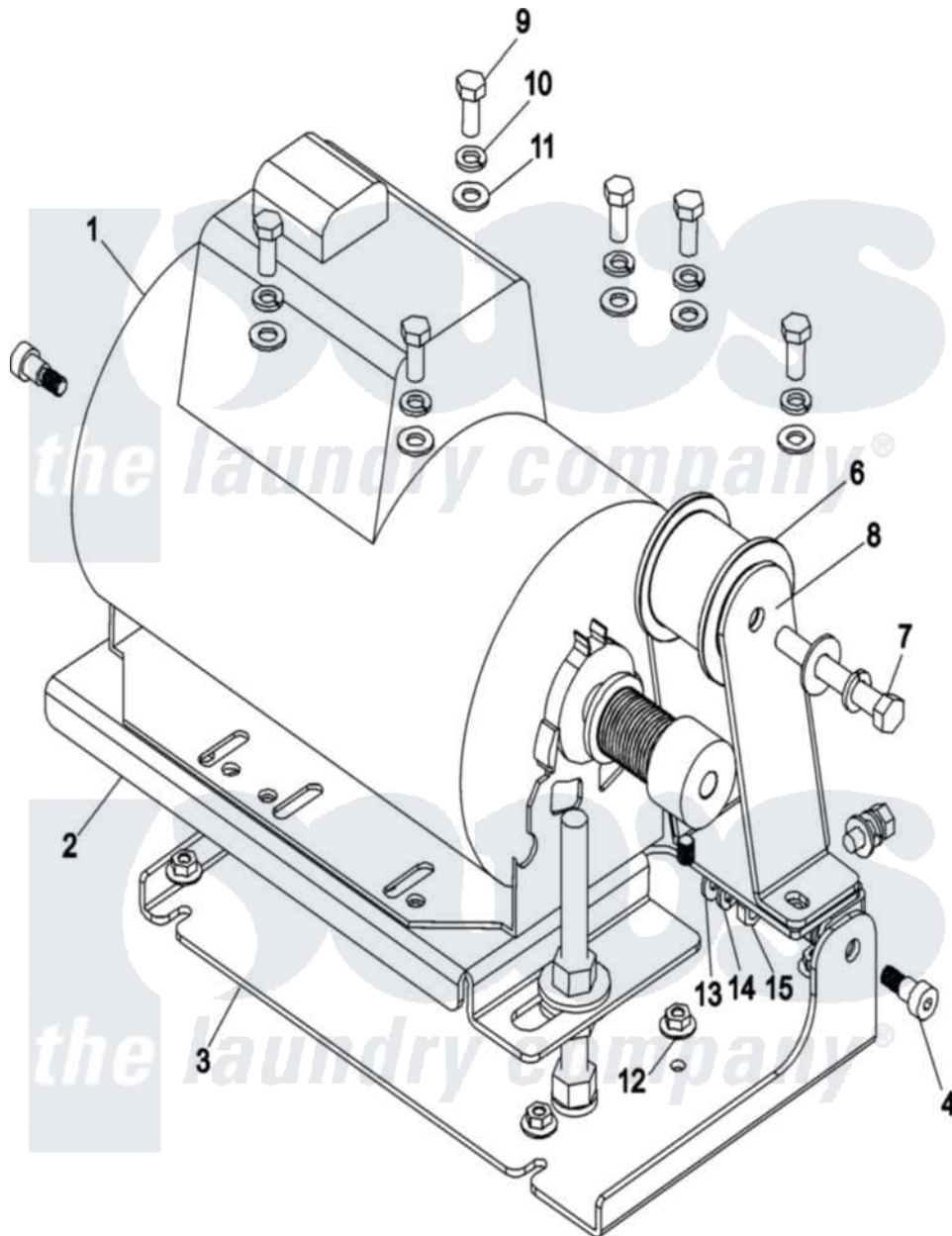


Maytag MDG51PNSWW 03 - MOTOR ASSEMBLY



Maytag Commercial Maytag MDG51PNSWW Dryer Parts Parts Diagram 03 - MOTOR ASSEMBLY
 Click on the part number to view part

| Item | Original Part Number | Replaced By | Status | Part Description |
|------|-------------------------|---------------------------|---------------|---|
| 001 | A181127 | | | 1HP 60Hz Motor Only |
| " | A851440 | W10147790 | | SL50 60Hz |
| 002 | A851285 | | | Motor Mnt Clinch Nut Assembly |
| 003 | A851284 | | | Motor Mnt Base Assembly |
| 004 | A154266 | 154266 | | 3 8x3 8 5 |
| 005 | W10124350 | | Not Available | NOT REQUIRED PART OR SEE NOTE PULLEY INCLUDED W/MOTOR |
| 006 | A100281 | W10146626 | | Back Side |
| 007 | A150634 | 150634 | | 3 8-16 X 2 |
| 008 | A851510 | W10147791 | | SL50 Fixed |
| 009 | A150501 | 150501 | | 5 16-18 X |
| 010 | A153002 | 8182939 | | Washer, Lock |
| 011 | A153001 | 153001 | | 5 16 Flat |
| 012 | A152014 | 152014 | | 1 4-20 Ser |
| 013 | A153018 | 153018 | | 1 4 Flat |

