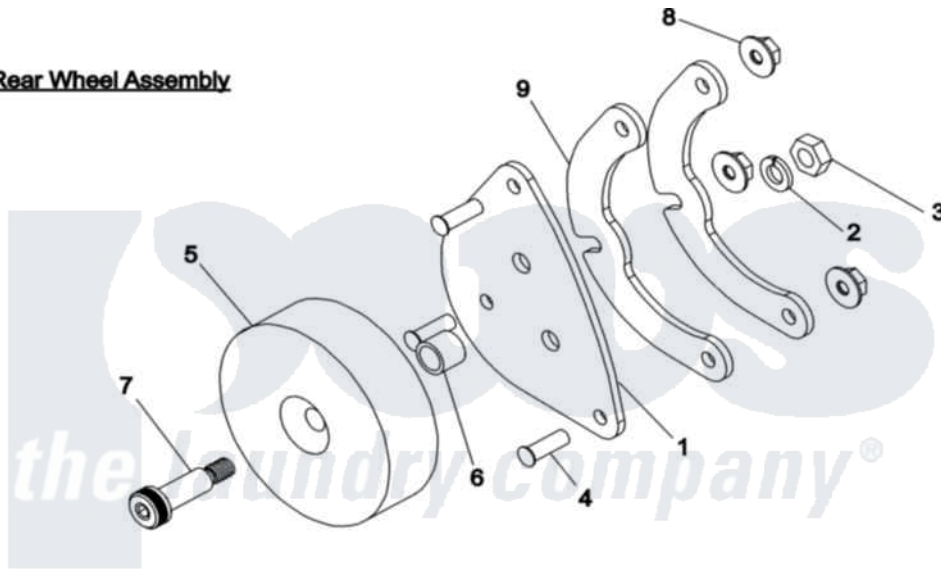
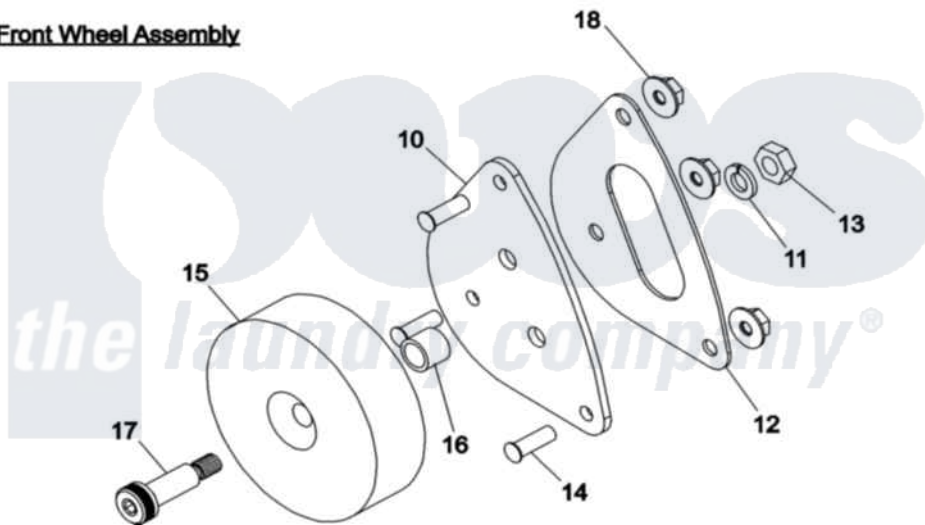


# Maytag MDG51PNSWW 07 - ROLLER WHEEL ASSEMBLY

**Rear Wheel Assembly**



**Front Wheel Assembly**



Maytag [Commercial Maytag MDG51PNSWW Dryer Parts](#) Parts Diagram 07 - ROLLER WHEEL ASSEMBLY  
 Click on the part number to view part

Item	Original Part Number	Replaced By	Status	Part Description
001	A350196	<a href="#">W10146894</a>		SL50-SL75-
002	A153002	<a href="#">8182939</a>		Washer, Lock
003	A154013	<a href="#">154013</a>		M8 Steel H
004	<a href="#">A153557</a>			1/4-20 X 3/5- Clinch Stud
005	A180060	<a href="#">180060</a>		3 1 2 Tumbler
006	A154284		Not Available	TUMBLER WHEEL SPACER
007	A154267		Not Available	M10x25MM SHOULDER SCREW
008	A152014	<a href="#">152014</a>		1 4-20 Ser
009	<a href="#">A350198</a>			Shim, Rear Wheel Bracket
010	A350196	<a href="#">W10146894</a>		SL50-SL75-
011	A153002	<a href="#">8182939</a>		Washer, Lock
012	<a href="#">A350197</a>			Shim, Front Wheel Bracket
013	A154013	<a href="#">154013</a>		M8 Steel H
014	<a href="#">A153557</a>			1/4-20 X 3/5- Clinch Stud
015	A180060	<a href="#">180060</a>		3 1 2 Tumbler
016	A154284		Not Available	TUMBLER WHEEL SPACER

017 A154267

Not Available

M10x25MM SHOULDER  
SCREW

018 A152014

[152014](#)

1 4-20 Ser

