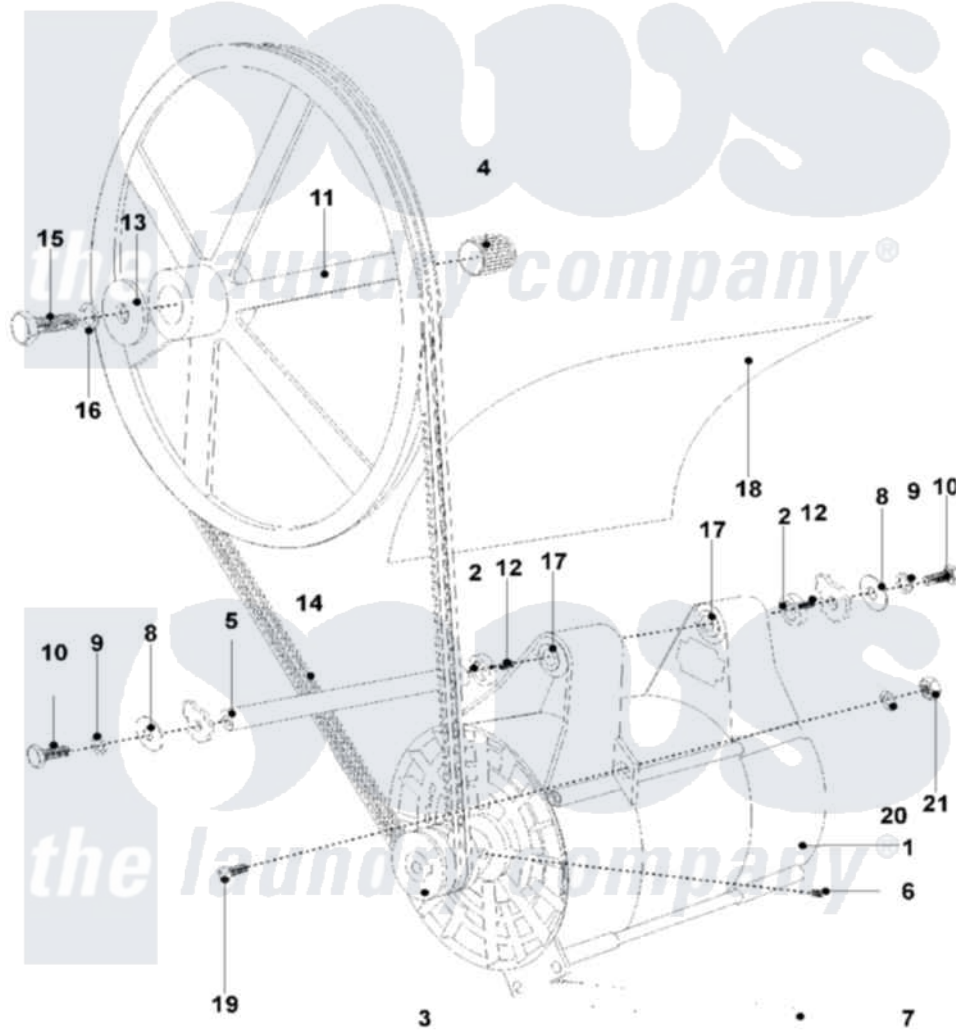


# Maytag MFR18PDAAS 08 - MOTOR AND BASKET PULLEY



Maytag [Commercial Maytag MFR18PDAAS Washer Parts](#) Parts Diagram 08 - MOTOR AND BASKET PULLEY  
 Click on the part number to view part

Item	Original Part Number	Replaced By	Status	Part Description
001	<a href="#">23001403</a>			Motor
"	<a href="#">23001405</a>			Motor
002	<a href="#">23003329</a>			Ring, Sliding
003	<a href="#">23001409</a>			V-Pulley
004	<a href="#">23001410</a>			Ring, Tolerance
005	<a href="#">23003330</a>			Shaft, Motor
006	<a href="#">23002929</a>			Screw, Socket Set
007	<a href="#">23001413</a>			Motor, Spring
008	<a href="#">23003788</a>			Washer M10.5
009	<a href="#">23002654</a>			Washer
010	<a href="#">23001905</a>			Bolt M10x25
011	<a href="#">23001415</a>			Pulley, Basket
012	<a href="#">23003267</a>			Pulley Set Screw
013	<a href="#">23001282</a>			Washer
014	<a href="#">23001417</a>			V-Belt
015	23003332	<a href="#">23001418</a>		Bolt

016	<a href="#">23002658</a>		Washer
017	<a href="#">23001420</a>		Motor, Suspension Rubber
018	NLA	Not Available	COVER, PLASTIC
019	<a href="#">23002718</a>		Screw
020	NLA	Not Available	LOCKWASHER (M3)
021	<a href="#">23002958</a>		Nut M3

