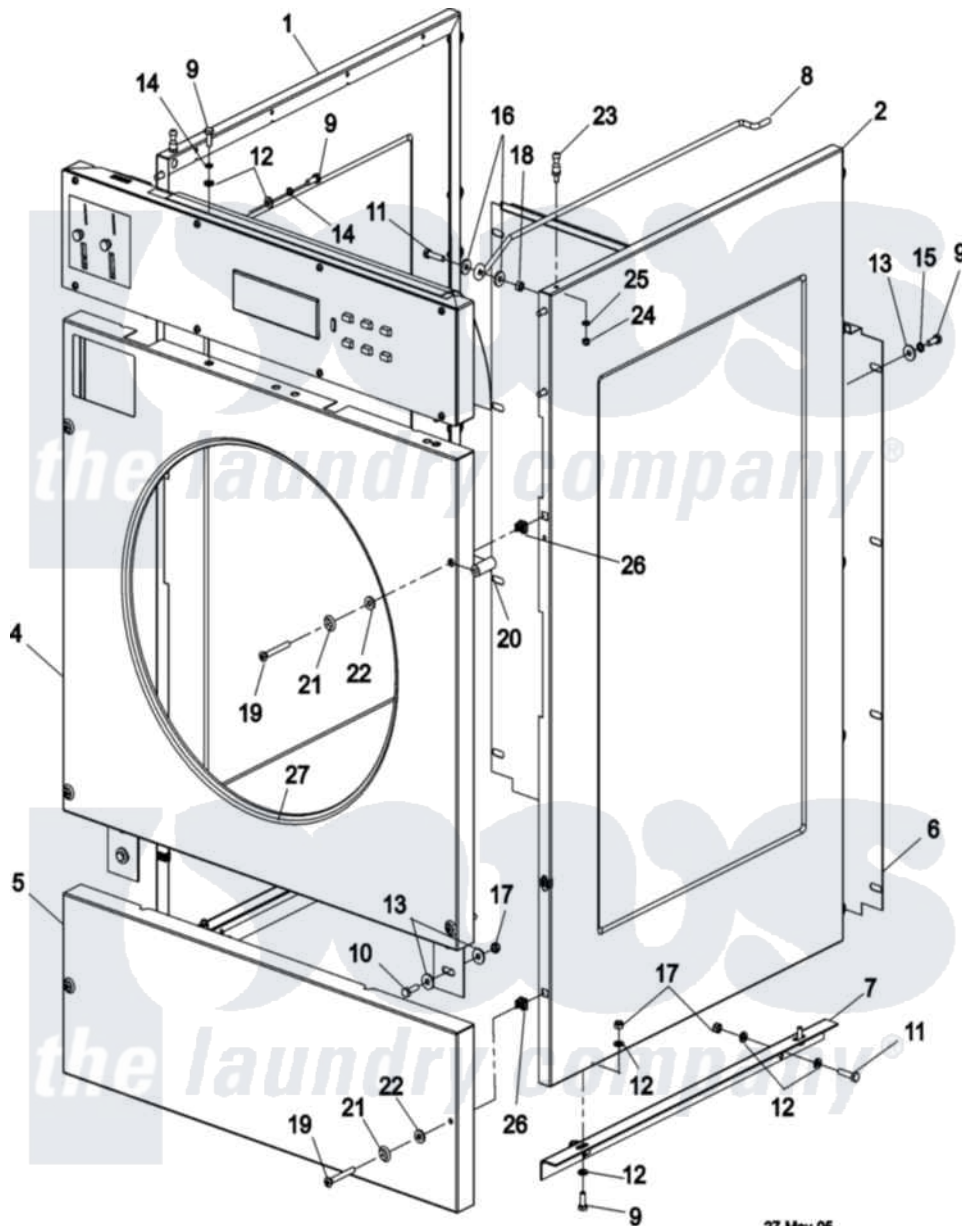


Maytag MFR18PDCWS 02 - CABINET



27-May-05
521 464

Maytag [Commercial Maytag MFR18PDCWS Washer Parts](#) Parts Diagram 02 - CABINET
Click on the part number to view part

| Item | Original Part Number | Replaced By | Status | Part Description |
|------|--------------------------|--------------------------|--------|-------------------------|
| 001 | 23004294 | | | Panel, Side LH Mfr18 Lu |
| 002 | 23004296 | | | Panel, Side RH Mfr18 Lu |
| 004 | 23004298 | | | Panel, Front Mfr18 Lu |
| 005 | 23001436 | | | Panel, Access |
| 006 | 23003295 | 23001434 | | Panel, Rear |
| 007 | 23003298 | | | Support, Side Panel |
| 008 | 23001330 | | | Rod, Top Panel Support |
| 009 | 23002461 | | | Screw |
| 010 | 23002462 | | | Screw Lu |
| 011 | 23002861 | | | Screw Lu |
| 012 | 23003778 | 23002756 | | Lockwasher |
| 013 | 23003012 | | | Washer Lu |
| 014 | 23002440 | | | Washer, Spring Lock |
| 015 | 23002756 | | | Lockwasher |
| 016 | 23002469 | 23001309 | | Washer Lu |
| 017 | 23002471 | 23001310 | | Nut, Self Locking |

| | | | |
|-----|--------------------------|--------------------------|--------------------|
| 018 | 23003773 | Not Available | NUT M6 |
| 019 | 23002456 | 23003478 | Screw |
| 020 | 23002860 | | Tube, Distance |
| 021 | 23002457 | | Washer M6 |
| 022 | 23002458 | | Washer |
| 023 | 23001332 | | Alignment Pin |
| 024 | 23003716 | | Nut M5 |
| 025 | 23002862 | 23001708 | Washer |
| 026 | 23002455 | | Nut, Rapid |
| 027 | 23002473 | | Rubber, Protective |

