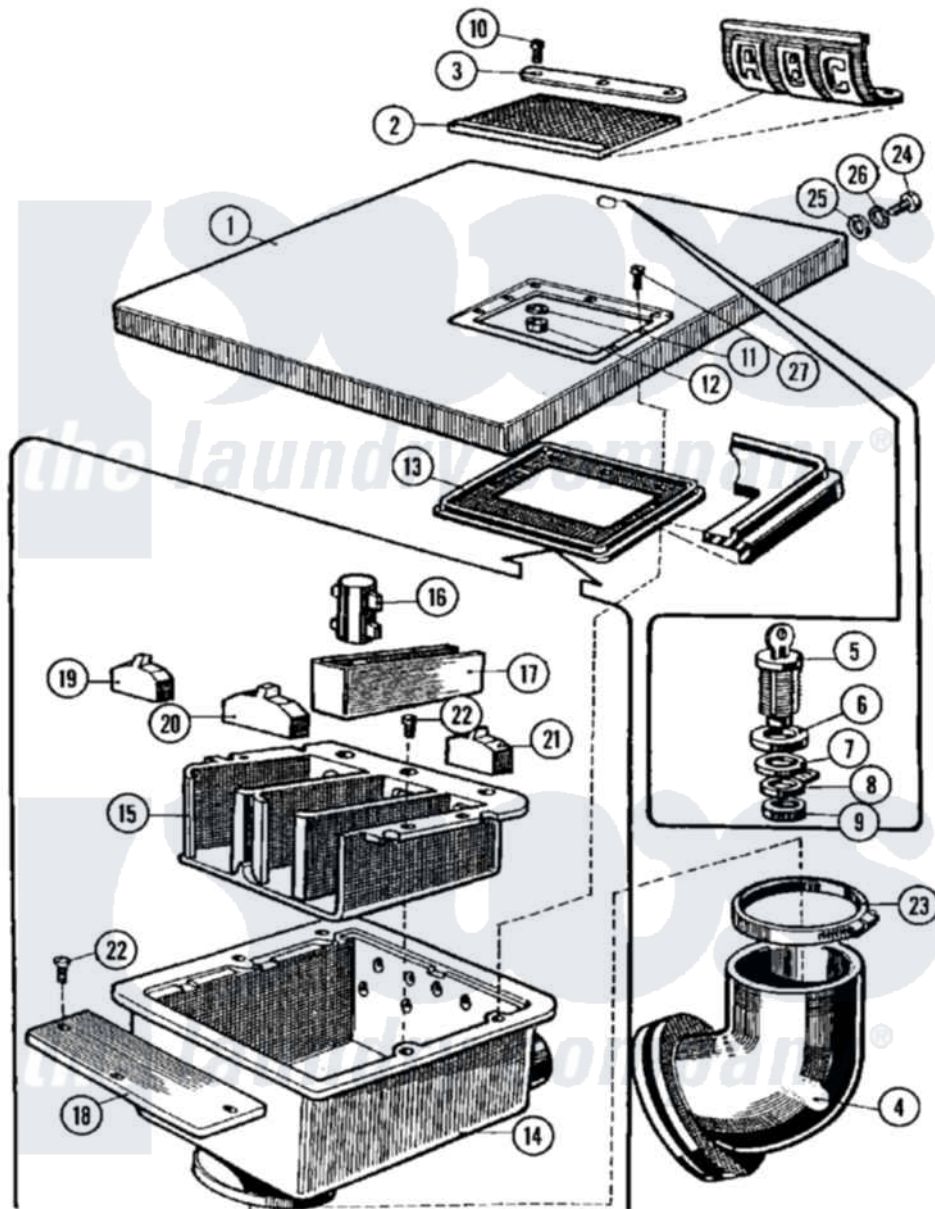


# Maytag MFR25MCATS 01 - SOAP BOX & TOP COVER ASSY. (SERIES 10)



Maytag Commercial Maytag MFR25MCATS Washer Parts Parts Diagram 01 - SOAP BOX & TOP COVER ASSY. (SERIES 10)

[Click on the part number to view part](#)

| Item | Original Part Number     | Replaced By | Status        | Part Description              |
|------|--------------------------|-------------|---------------|-------------------------------|
| 001  | NLA                      |             | Not Available | COVER, TOP (STNLS)            |
| 002  | <a href="#">23001003</a> |             |               | Rubber Cover, Soap Box        |
| 003  | <a href="#">23001004</a> |             |               | Clamp, Soap Box Cover         |
| 004  | <a href="#">23001005</a> |             |               | Rubber Hose, Soap Box         |
| 005  | <a href="#">23001006</a> |             |               | Lock, Top Panel               |
| 006  | <a href="#">23001007</a> |             |               | Washer M21x27x1               |
| 007  | <a href="#">23001008</a> |             |               | Nut, Lock                     |
| 008  | <a href="#">23001009</a> |             |               | Hook, Lock                    |
| 009  | <a href="#">23001011</a> |             |               | Nut                           |
| 010  | <a href="#">23001012</a> |             |               | Screw                         |
| 011  | <a href="#">23001013</a> |             |               | Lock Washer External Teeth M4 |
| 012  | <a href="#">23001014</a> |             |               | Nut M4                        |
| 013  | <a href="#">23001015</a> |             |               | Rubber Seal, Soap Box         |
| 014  | <a href="#">23001016</a> |             |               | External Soap Hopper          |
| 015  | <a href="#">23001017</a> |             |               | Soap Hopper Insert            |

|     |                          |                          |                            |
|-----|--------------------------|--------------------------|----------------------------|
| 016 | <a href="#">23001018</a> |                          | Syphon Hose                |
| 017 | <a href="#">23001019</a> |                          | Fabric Softner Insert      |
| 018 | <a href="#">23001020</a> |                          | Insert Retainer            |
| 019 | <a href="#">23001021</a> |                          | Prewash Diverter           |
| "   | <a href="#">23001550</a> |                          | Sticker, Service Warning   |
| 020 | <a href="#">23001022</a> |                          | Mainwash Diverter          |
| 021 | <a href="#">23001023</a> |                          | Fabric Softner Diverter    |
| 022 | 23001024                 | <a href="#">23003782</a> | Screw 3 Stainless Steel Lu |
| 023 | <a href="#">23001025</a> |                          | Clamp, Hose                |
| 024 | <a href="#">23001026</a> |                          | Bolt                       |
| 025 | <a href="#">23001027</a> |                          | Washer                     |
| 026 | 23001028                 | <a href="#">23002756</a> | Lockwasher                 |
| 027 | 23001029                 | <a href="#">23003484</a> | Screw                      |
| 028 | <a href="#">23002318</a> |                          | Screw, Pan Head            |

